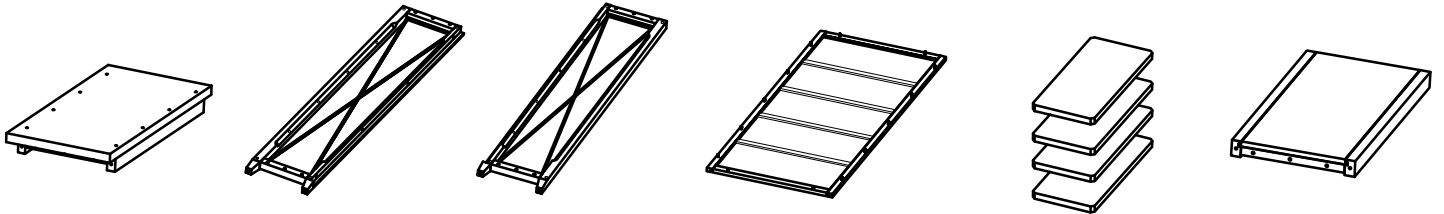




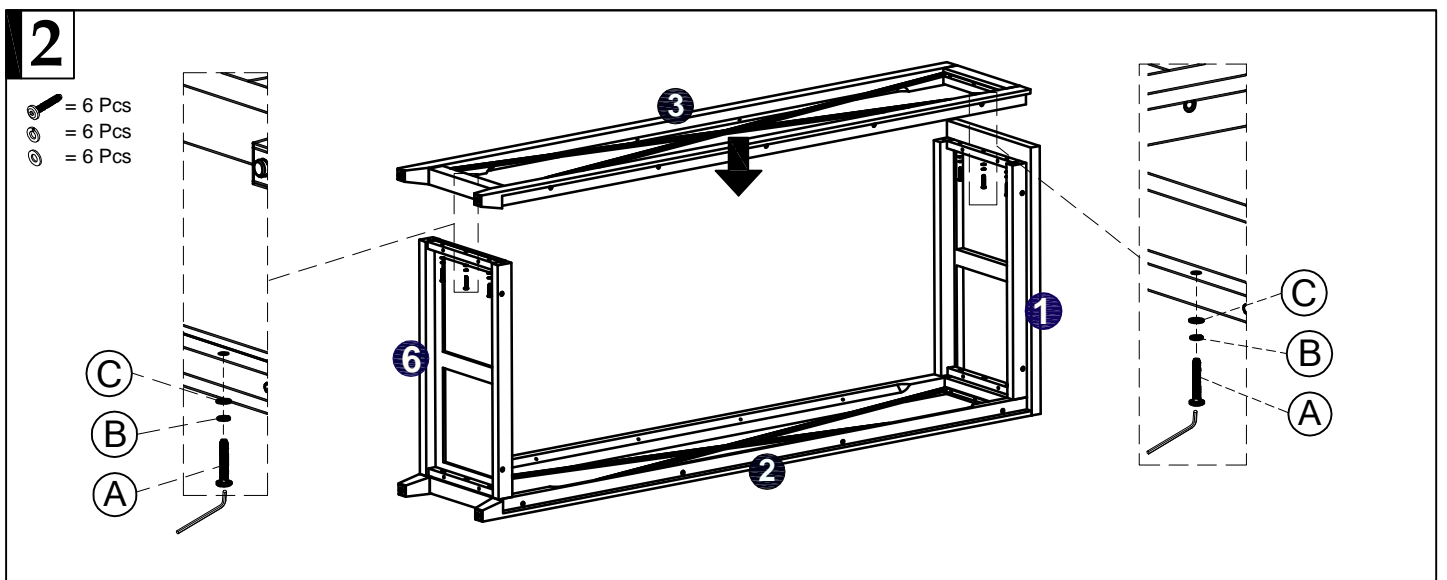
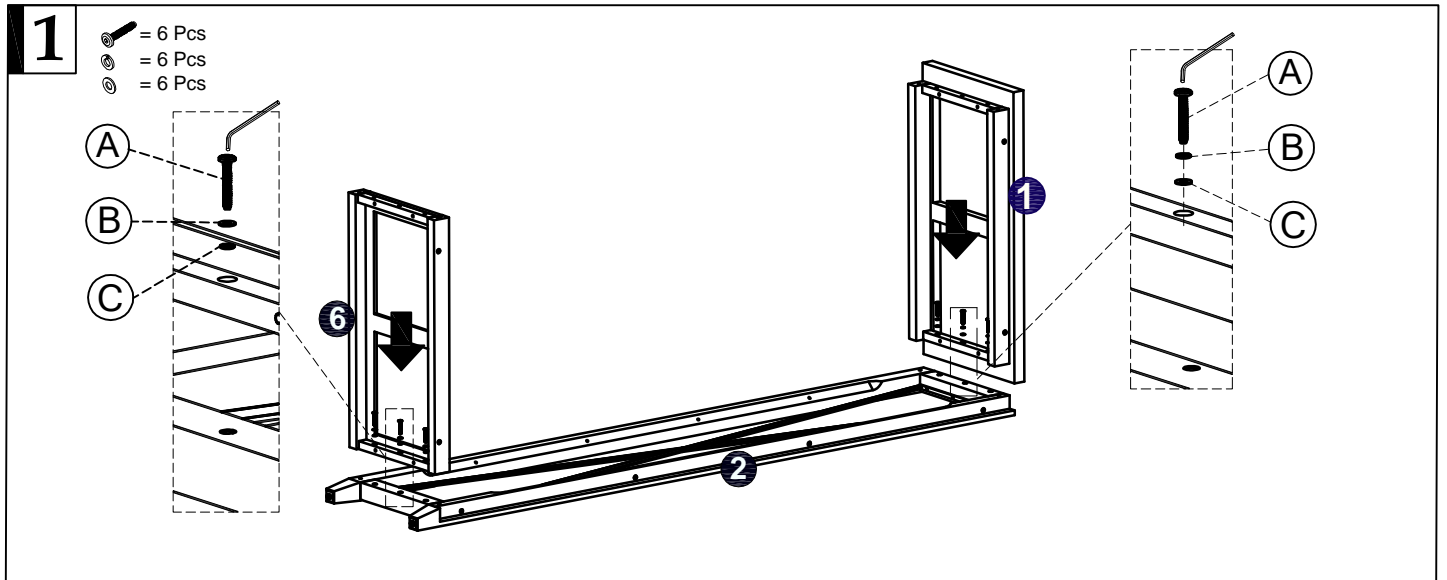
UTTERMOST

ASSEMBLY INSTRUCTION FOR ITEM # 25434



- 1** Top -1pc.
- 2** Left Side - 1pc.
- 3** Right Side -1pc.
- 4** Back -1 pc.
- 5** Shelf - 4 pcs.
- 6** Bottom - 1pc.

- A** Allen Bolt M6 x 40mm 26 pcs
- B** Spring Washer M6 26 pcs
- C** Flat Washer M6 26 pcs
- D** Pin Shelf 16 pcs
- E** Allen Key 4mm 1 pc





UTTERMOST

ASSEMBLY INSTRUCTION FOR ITEM # 25434

3

- = 14 Pcs
- = 14 Pcs
- = 14 Pcs

Diagram illustrating step 3 of assembly. It shows the top rail (3) and bottom rail (4) being attached to the side panels (6). Callouts A, B, and C indicate the placement of screws, washers, and brackets respectively.

4

- = 16 Pcs

Diagram illustrating step 4 of assembly. It shows the installation of brackets (5) on the shelves. Callout D shows a close-up of a bracket being secured to a shelf.

5

Diagram illustrating step 5 of assembly. It shows the final assembly of the shelving unit. A callout shows the rotation of a foot.

Assembly is completed