

# UTTERMOST

## ASSEMBLY INSTRUCTIONS

THANK YOU FOR YOUR PURCHASE.

PLEASE FOLLOW THE INSTRUCTIONS LISTED BELOW:

### ASSEMBLY INSTRUCTIONS:

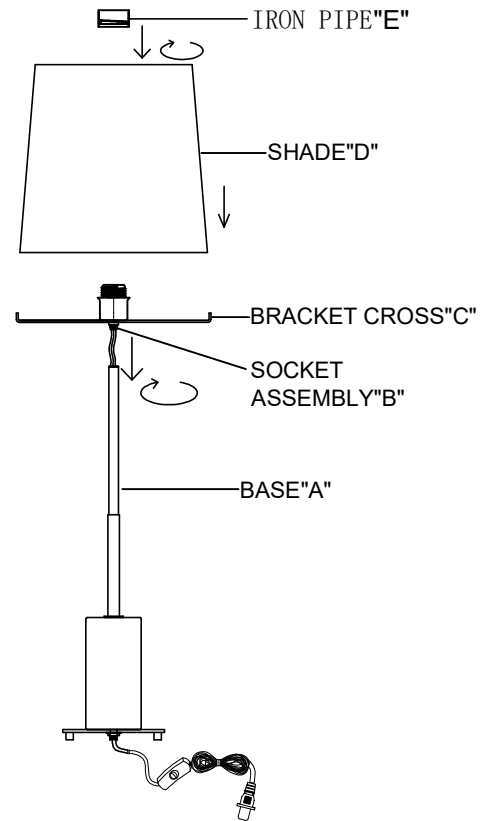
SKU#:30422

1. UNPACK ALL PARTS FROM CARTON CAREFULLY;
2. SCREW THE SOCKET ASSEMBLY "B" CLOCKWISE TO THE BASE "A";
3. PLACE THE SHADE ("D") ONTO THE TOP OF BRACKET CROSS ("C"), AND SCREW THE IRON PIPE ("E") CLOCKWISE TO FIX THE SHADE.

### IMPORTANT SAFETY INSTRUCTION:

THIS PORTABLE LAMP HAS A POLARIZED PLUG (ONE BLADE IS WIDER THAN THE OTHER). AS A SAFETY FEATURE TO REDUCE THE RISK OF ELECTRIC SHOCK. THIS PLUG WILL FIT IN A POLARIZED OUTLET ONLY ONE WAY. IF IT DOES NOT FIT, REVERSE THE PLUG. IF IT STILL DOES NOT FIT, CONTACT A QUALIFIED ELECTRICIAN. NEVER USE WITH AN EXTENSION CORD UNLESS PLUG CAN BE FULLY INSERTED. DO NOT ALTER THE PLUG.

PO BOX 558/3325 GRASSY HILL RD. ROCKY MOUNT, VIRGINIA 24151  
www.uttermost.com



# UTTERMOST

## ASSEMBLY INSTRUCTIONS

THANK YOU FOR YOUR PURCHASE.

PLEASE FOLLOW THE INSTRUCTIONS LISTED BELOW:

### ASSEMBLY INSTRUCTIONS:

SKU#:30422

1. UNPACK ALL PARTS FROM CARTON CAREFULLY;
2. SCREW THE SOCKET ASSEMBLY "B" CLOCKWISE TO THE BASE "A";
3. PLACE THE SHADE ("D") ONTO THE TOP OF BRACKET CROSS ("C"), AND SCREW THE IRON PIPE ("E") CLOCKWISE TO FIX THE SHADE.

### IMPORTANT SAFETY INSTRUCTION:

THIS PORTABLE LAMP HAS A POLARIZED PLUG (ONE BLADE IS WIDER THAN THE OTHER). AS A SAFETY FEATURE TO REDUCE THE RISK OF ELECTRIC SHOCK. THIS PLUG WILL FIT IN A POLARIZED OUTLET ONLY ONE WAY. IF IT DOES NOT FIT, REVERSE THE PLUG. IF IT STILL DOES NOT FIT, CONTACT A QUALIFIED ELECTRICIAN. NEVER USE WITH AN EXTENSION CORD UNLESS PLUG CAN BE FULLY INSERTED. DO NOT ALTER THE PLUG.

PO BOX 558/3325 GRASSY HILL RD. ROCKY MOUNT, VIRGINIA 24151  
www.uttermost.com

