

UTTERMOST

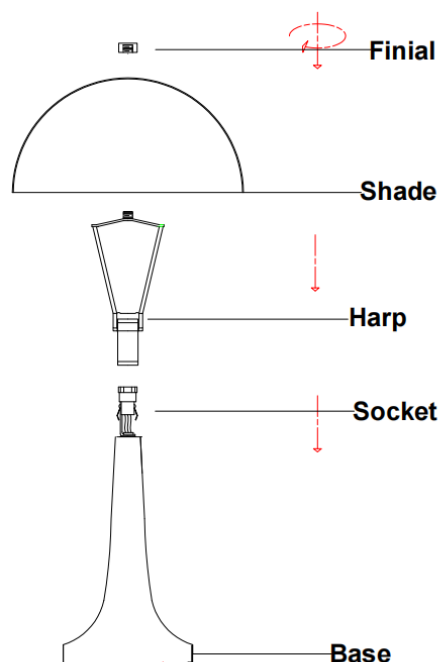
ASSEMBLY INSTRUCTIONS

STYLE#: 30413-1

Carefully unpack all Assembly parts from the carton.

1. Place the lamp base in an upright position on the floor.
2. Locate the **Harp** by pressing the ends of the Harp into the **Socket** on the top of **Base**.

3. Place the **Shade** over the top end of the **Harp**. Secure by threading the **Finial** onto the **Harp**. Hand tighten until snug. Install correct Bulbs (Not Included) referring to fixture markings and /or labels for maximum wattage.



IMPORTANT SAFETY INSTRUCTIONS

This Floor lamp has a polarized plug (one blade is wider than the other) as a safety feature to reduce the risk of electric shock. This plug will fit in a polarized outlet only one way. If the plug does not fit fully in the outlet, reverse the plug. If it still does not fit, contact a qualified electrician. Never use with an extension cord unless plug can be fully inserted. Do not attempt to defeat this safety feature.