

UTTERMOST

ASSEMBLY INSTRUCTIONS

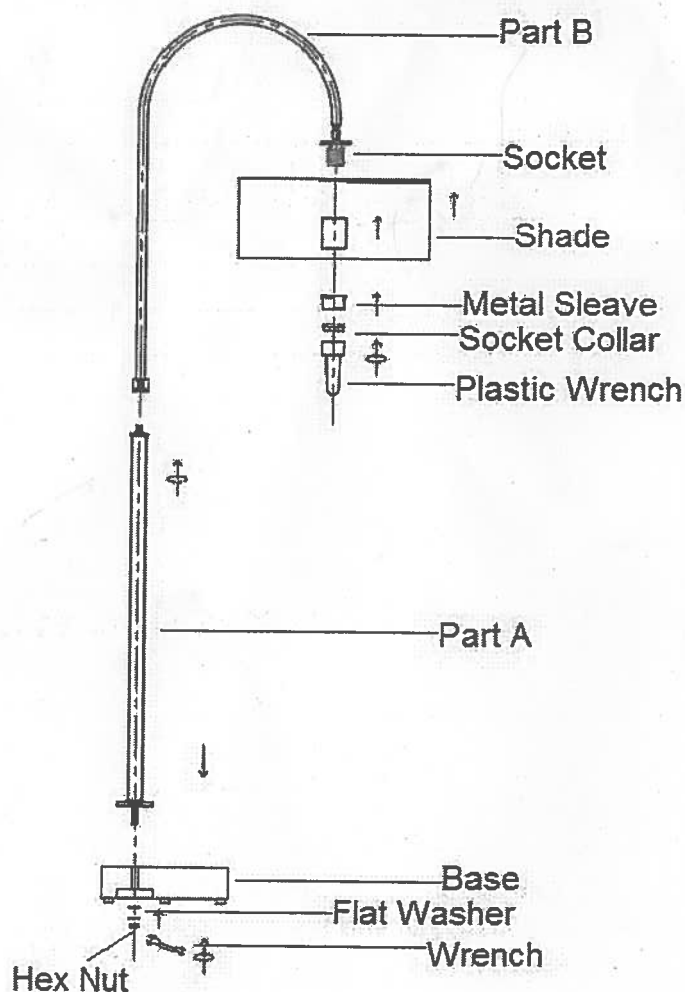
STYLE#: 30136-1

Carefully unpack all Assembly parts from the carton.

1. Place the **Base** in an upright position on the floor.
2. Thread **Part B** into **Part A** by turning **Part B** clockwise to tighten until snug.
3. Insert the **Arm** into the top of the **Base** while pulling excess cord where it exits the **Base**. Attach flat washer and **Hex Nut** to the threaded rod of **Arm**. The **Flat Washer** and **Hex Nut** are pre-positioned on the cord. Tighten the **Hex Nut** by using **Wrench** enclosed in the parts bag.
4. Position the round plate on the top of the **Shade** through the **Socket**. Thread the **Metal Sleeve** onto the socket. Then use **Plastic Wrench** to lock the **Socket Collar** to secure the **Shade**. Hand tighten until snug.
5. Install correct **Bulbs** referring to fixture markings and /or labels for maximum wattage. (Not Included).

IMPORTANT SAFETY INSTRUCTIONS

This portable lamp has a polarized plug (one blade is wider than the other) as a safety feature to reduce the risk of electric shock. This plug will fit in a polarized outlet only one way. If the plug does not fit fully in the outlet, reverse the plug. If it still does not fit, contact a qualified electrician. Never use with an extension cord unless plug can be fully inserted. Do not attempt to defeat this safety feature.



30136-1