

UTTERMOST

ASSEMBLY INSTRUCTIONS

STYLE# 29777-1

Careful unpack all lamp parts from the carton.

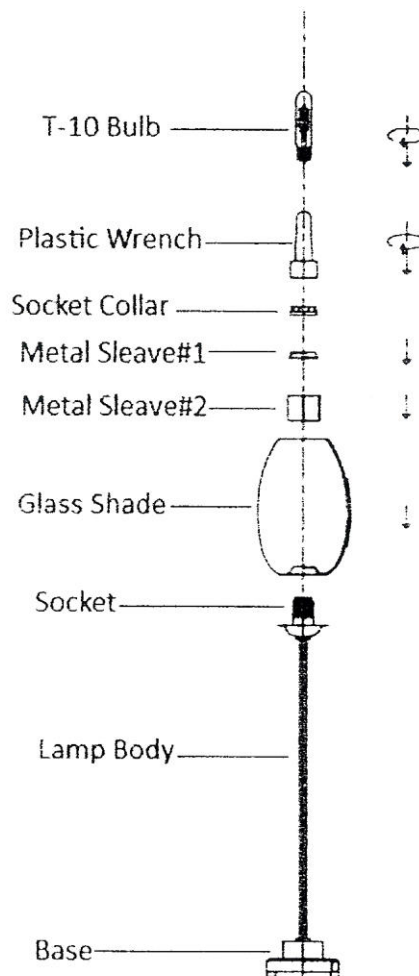
1. Position the round plate on the top of the Shade through the Socket.

Thread the Metal Sleeve#1 and Metal Sleeve#2 onto the Socket.

Then use Plastic Wrench to lock the Socket Collar to secure the Shade.

Hand tighten until snug.

2. Install correct Bulbs referring to fixture markings and /or labels for maximum wattage. (Included)



29777-1

IMPORTANT SAFETY INSTRUCTIONS

This portable lamp has a polarized plug (one blade is wider than the other) as a safety feature to reduce the risk of electric shock. This plug will fit in a polarized outlet only one way. If the plug does not fit fully in the outlet, reverse the plug. If it still does not fit, contact a qualified electrician. Never use with an extension cord unless plug can be fully inserted. Do not attempt to defeat this safety feature.

PO BOX 558/3325 GRASSY HILL RD. ROCKY MOUNT, VIRGINIA 24151

www.uttermost.com