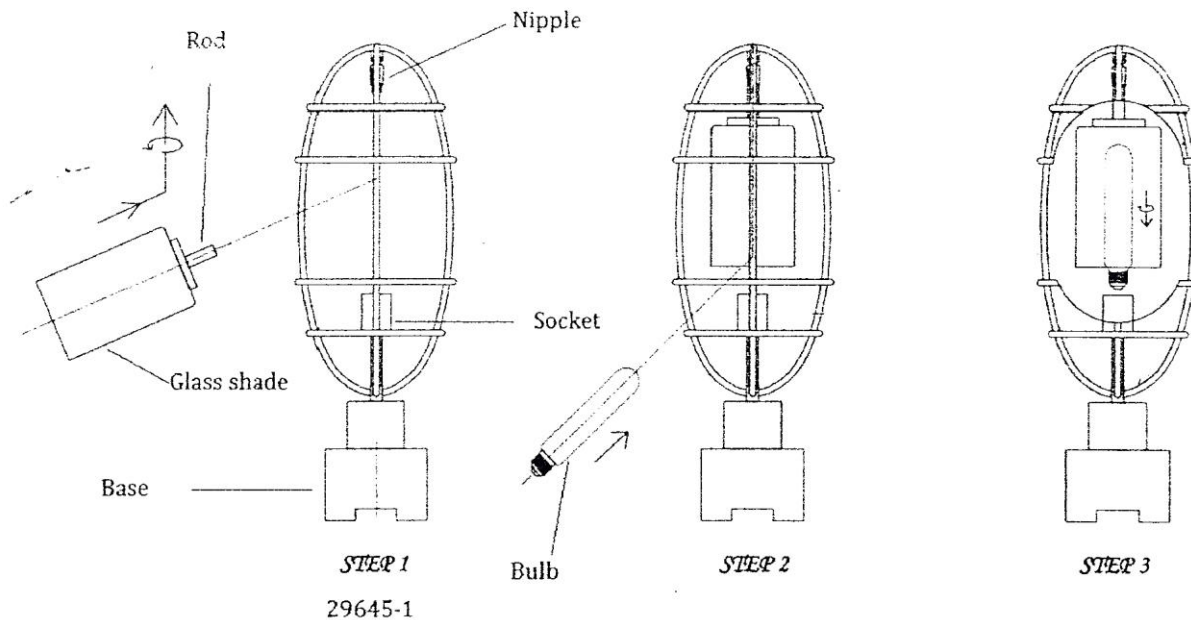




UTTERMOST

STYLE# 29645-1**Careful unpack all lamp parts from the carton.**

1. Place the **Base** in an upright position on the floor.
2. Position the **Rod** with **Glass Shade** on the top of the **Nipple**, turning **Rod** clockwise to tighten until snug.
3. Install correct **Bulbs** referring to fixture markings and /or labels for maximum wattage. (Included)



PO BOX 558/3325 GRASSY HILL RD. ROCKY MOUNT, VIRGINIA 24151
www.uttermost.com