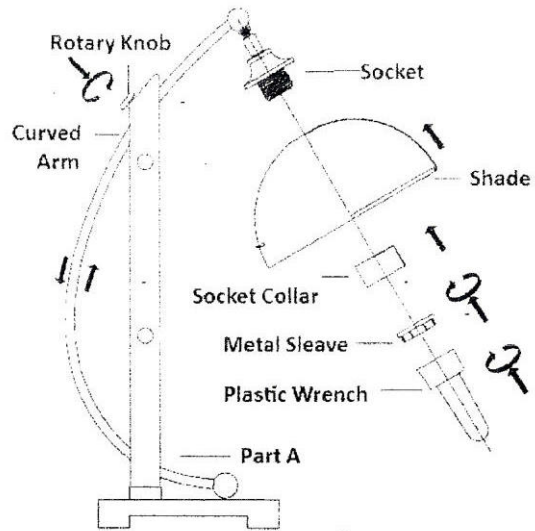


## ASSEMBLY INSTRUCTIONS

### STYLE# 29587-1

#### Carefully unpack all lamp parts from the carton.

1. Place the **Part A** in an upright position on the floor.
2. Adjust the **Curved Arm** to the desired shade position. Then fix the Arm by tightening the **Rotary Knob** from top of **Part A**.
3. Thread the **Socket Collar** and **Metal Sleeve** onto the **Socket**, then using the **Plastic Wrench** to secure them to the shade, Hand tighten until snug.
4. Use **On-Line Switch on-off Type A** suitable bulb (not included.) onto the lamp before connecting the plug to the electricity outlet Box.



29587-1

## INSTRUCTIONS

This portable lamp has a polarized plug ( one blade is wider than the other ) as a safety feature to reduce the risk of electric shock. This plug will fit in a polarized outlet only one way. If the plug does not fit fully in the outlet, reverse the plug. If it still does not fit, contact a qualified electrician. Never use with an extension cord unless plug can be fully inserted. Do not attempt to defeat this safety feature.