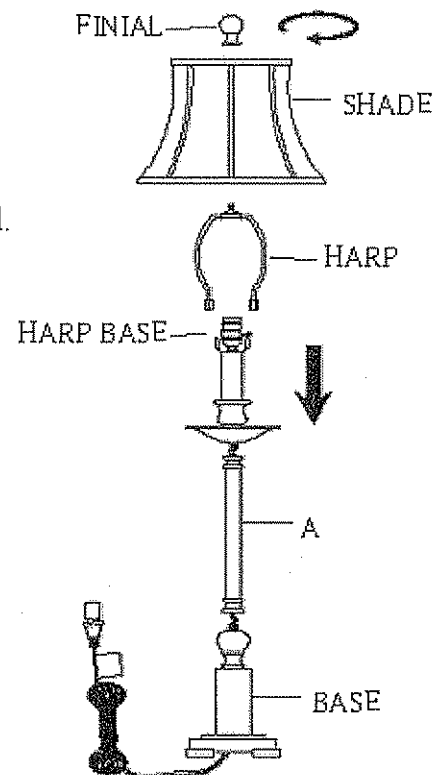


ASSEMBLY INSTRUCTIONS

STYLE# 29427

Careful unpack all lamp parts from the carton.

1. Carefully remove all parts from the carton.
2. Place the base in an upright position on the floor.
3. Thread the part A onto the base and turn clockwise to tighten secure.
4. Thread the harp base onto the part A.
5. Place the harp into the harp base.
6. Place the shade onto the harp, and tighten the finial.



IMPORTANT SAFETY INSTRUCTIONS

This portable lamp has a polarized plug (one blade is wider than the other) as a safety feature to reduce the risk of electric shock. This plug will fit in a polarized outlet only one way. If the plug does not fit fully in the outlet, reverse the plug. If it still does not fit, contact a qualified electrician. Never use with an extension cord unless plug can be fully inserted. Do not attempt to defeat this safety feature.