



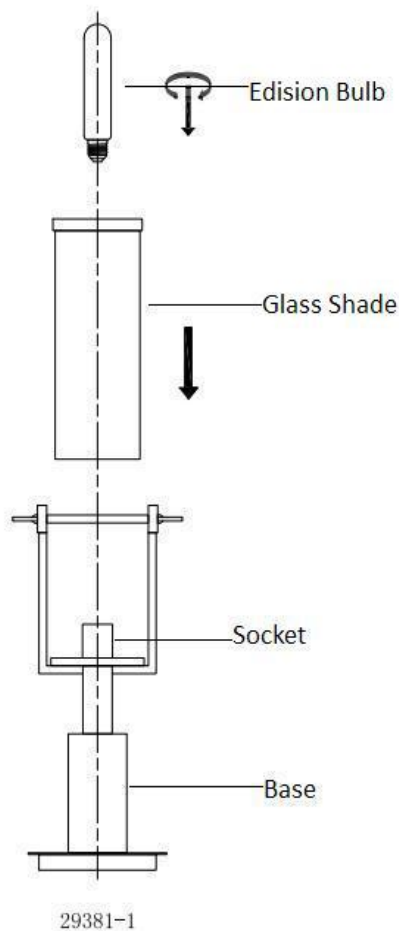
UTTERMOST

# ASSEMBLY INSTRUCTIONS

**STYLE#: 29381-1**

**Careful unpack all Assembly parts from the carton.**

1. Place the lamp base in an upright position on the floor.
2. Place the **Glass Shade** onto **Socket**.
3. Install the **Edison Bulb**(Included) onto the lamp before connecting the plug to the electricity outlet Box.



PO BOX 558/3325 GRASSY HILL RD. ROCKY MOUNT, VIRGINIA 24151  
[www.uttermost.com](http://www.uttermost.com)