



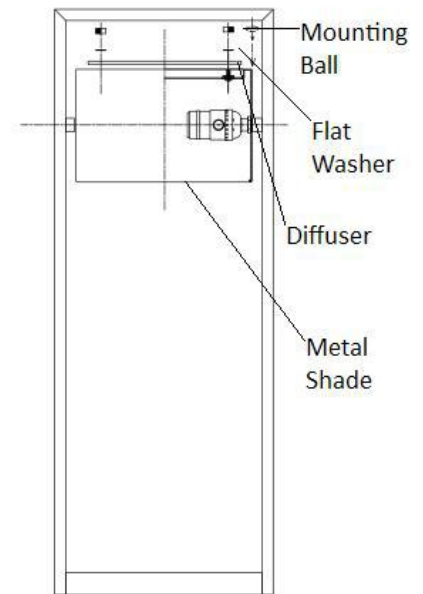
UTTERMOST

ASSEMBLY INSTRUCTIONS

STYLE# 29378-1

Careful unpack all lamp parts from the carton.

1. Take the lamp carefully out of the Carton, and place it on a flat surface.
2. Located the **Diffuser** and **Flat Washer** onto the **Metal Shade** and thread the **Mounting Ball** to secure it.
3. Install correct Bulbs referring to fixture markings and /or labels for maximum wattage. (Not Included)



29378-1

IMPORTANT SAFETY INSTRUCTIONS

This portable lamp has a polarized plug (one blade is wider than the other) as a safety feature to reduce the risk of electric shock. This plug will fit in a polarized outlet only one way. If the plug does not fit fully in the outlet, reverse the plug. If it still does not fit, contact a qualified electrician. Never use with an extension cord unless plug can be fully inserted. Do not attempt to defeat this safety feature.

PO BOX 558/3325 GRASSY HILL RD. ROCKY MOUNT, VIRGINIA 24151
www.uttermost.com