



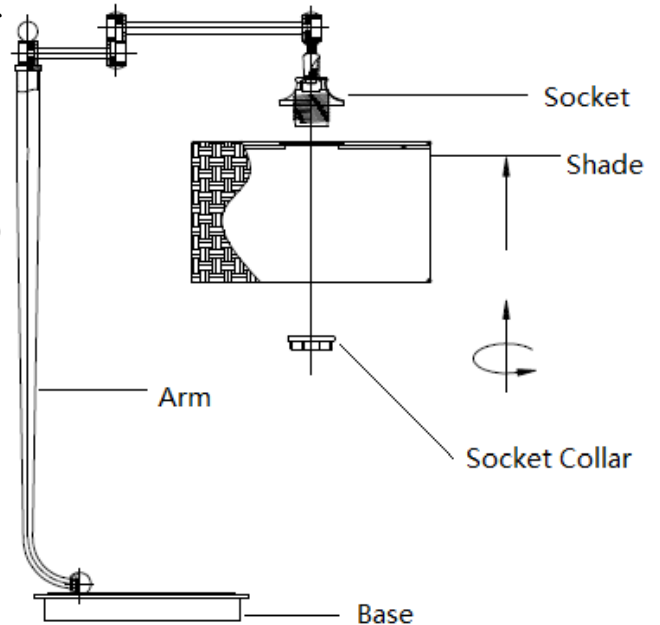
UTTERMOST

# ASSEMBLY INSTRUCTIONS

**STYLE# 29206-1**

*Careful unpack all lamp parts from the carton.*

1. Place the Base in an upright position on the floor
2. Position the **Socket** through the hole on the top of the **Shade**. Thread the **Socket Collar** onto the **Socket** to secure them. Hand tighten until snug.
3. Install correct Bulbs referring to fixture markings and /or labels for maximum wattage. (Not Included)



29206-1

## IMPORTANT SAFETY INSTRUCTIONS

This portable lamp has a polarized plug ( one blade is wider than the other ) as a safety feature to reduce the risk of electric shock.

This plug will fit in a polarized outlet only one way. If the plug does not fit fully in the outlet, reverse the plug. If it still does not fit, contact a qualified electrician. Never use with an extension cord unless plug can be fully inserted. Do not attempt to defeat this safety feature.