



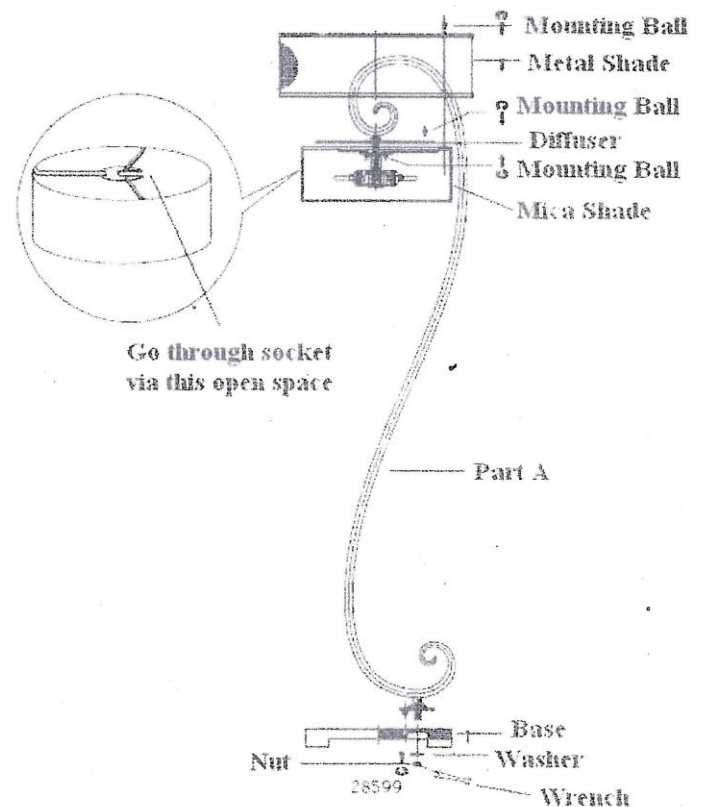
UTTERMOST

ASSEMBLY INSTRUCTIONS

STYLE# 28599

Careful unpack all lamp parts from the carton.

1. Place the **Base** in an upright position on the floor.
2. Position **Part A** on top of the **Base**, tighten from bottom of the **Base** by using wrench enclosed in the parts bag.
3. Bring the **Mica Shade** to right under the socket set. Line the **Mica Shade** up to go through the socket set, but make sure via the open space facing slot on the spider washer. Thread the **Mounting Ball** on the top of Socket set to secure them. Hand tighten until snug.
4. Put the **Diffuser** on the top of **Mica Shade**, screw with **Mounting Ball** under **Mica Shade** washer.
5. Put the Metal shade through the top of **Mica Shade**, screw with **Mounting Ball** on the top of **Mica Shade**.
6. Use 2 x 100W bulbs (not included).



IMPORTANT SAFETY INSTRUCTIONS

This portable lamp has a polarized plug (one blade is wider than the other) as a safety feature to reduce the risk of electric shock. This plug will fit in a polarized outlet only one way. If the plug does not fit fully in the outlet, reverse the plug. If it still does not fit, contact a qualified electrician. Never use with an extension cord unless plug can be fully inserted. Do not attempt to defeat this safety feature.

PO BOX 558/3325 GRASSY HILL RD. ROCKY MOUNT, VIRGINIA 24151
www.uttermost.com