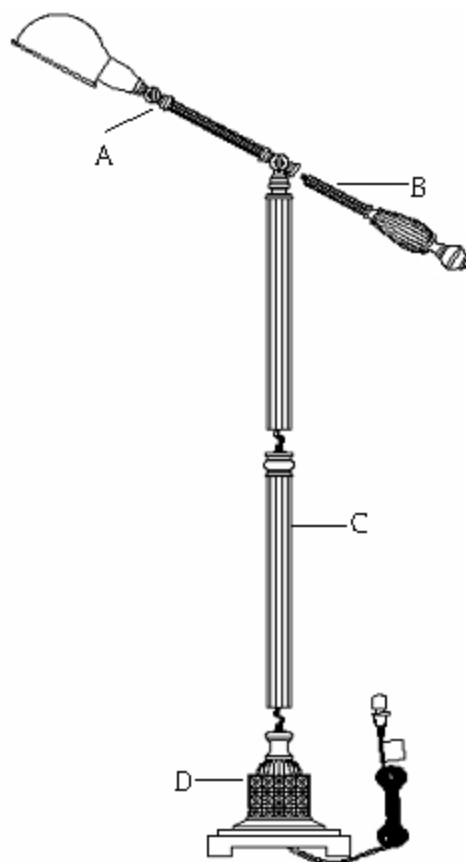


# ASSEMBLY INSTRUCTIONS

**STYLE# 28514-1**

**Careful unpack all lamp parts from the carton.**

1. Carefully remove all parts from the carton.
2. Place the part D (base) in an upright position on the floor.
3. Thread the part C onto the part D (base) and turn clockwise to tighten secure.
4. Thread the part A onto the part C and turn clockwise to tighten secure.
5. place the part B screw the part A.



## IMPORTANT SAFETY INSTRUCTIONS

This portable lamp has a polarized plug ( one blade is wider than the other ) as a safety feature to reduce the risk of electric shock. This plug will fit in a polarized outlet only one way. If the plug does not fit fully in the outlet, reverse the plug. If it still does not fit, contact a qualified electrician. Never use with an extension cord unless plug can be fully inserted. Do not attempt to defeat this safety feature.