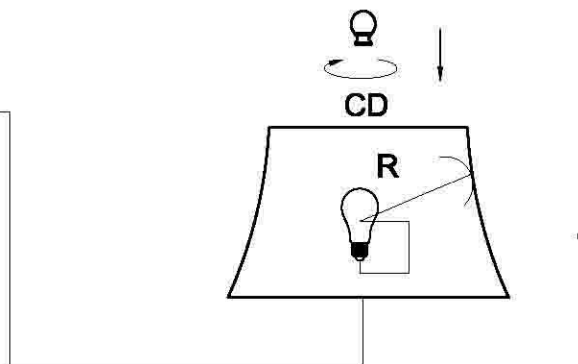
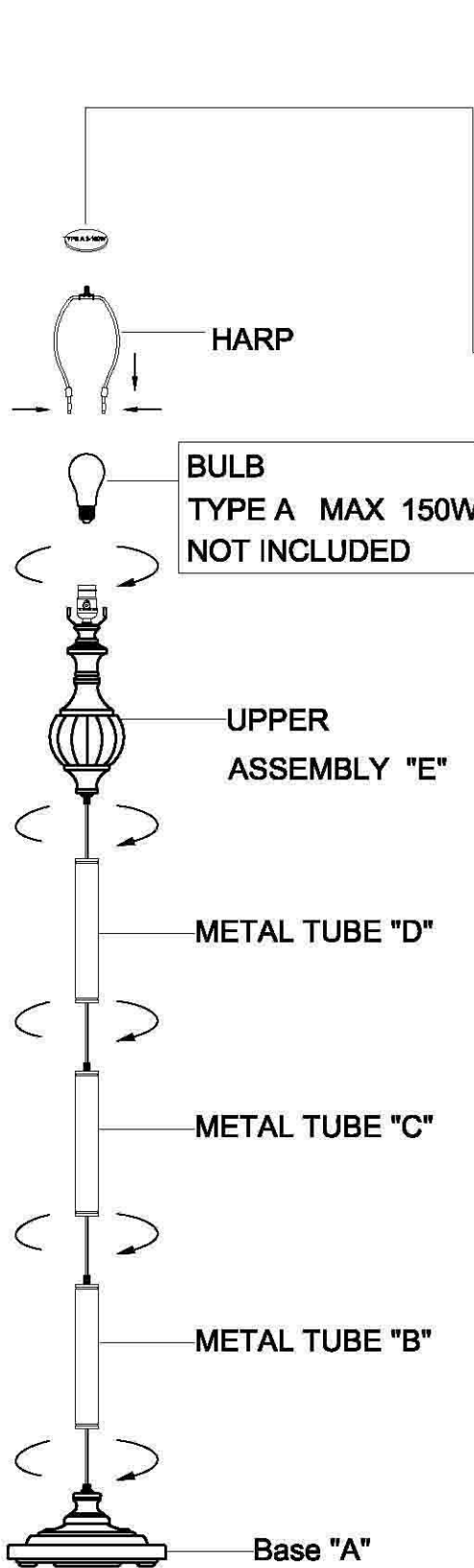




UTTERMOST



Assembly Instruction STYLE NO:28233

1. Take the parts carefully out of the carton, and place it on a flat surface, make sure that the parts will not be damaged.
2. Screw the metal tube(B) onto the base(A),
3. Screw the metal tube(C) onto the metal tube(B)
4. Screw the metal tube(D) onto the metal tube(C)
5. Screw the upper assembly(E) onto the metal tube(D)
6. Attach the harp onto the saddle as drawing.
7. Install the bulb into the socket.
8. Place the finial disc and shade onto the harp, then screw the finial clockwise onto harp until shade is secure.

CAUTION: IN ACCORDANCE WITH THE UL REGULATION. THE SHADE SHOULD BE OPEN TOP & OPEN BOTTOM AND "CD" IS BIGGER THAN OR EQUAL TO 3-1/2", "R" IS NOT SMALLER THAN 2-1/2" OR MAY CAUSE FIRE. "H" IS 3-1/4"

TO clean, wipe with soft dry cloth.

NOTE: THE DRAWING OF THE LAMP BODY IS FOR REFERENCE ONLY

PO BOX 558/3325 GRASSY HILL RD. ROCKY MOUNT, VIRGINIA 24151

www.uttermost.com