

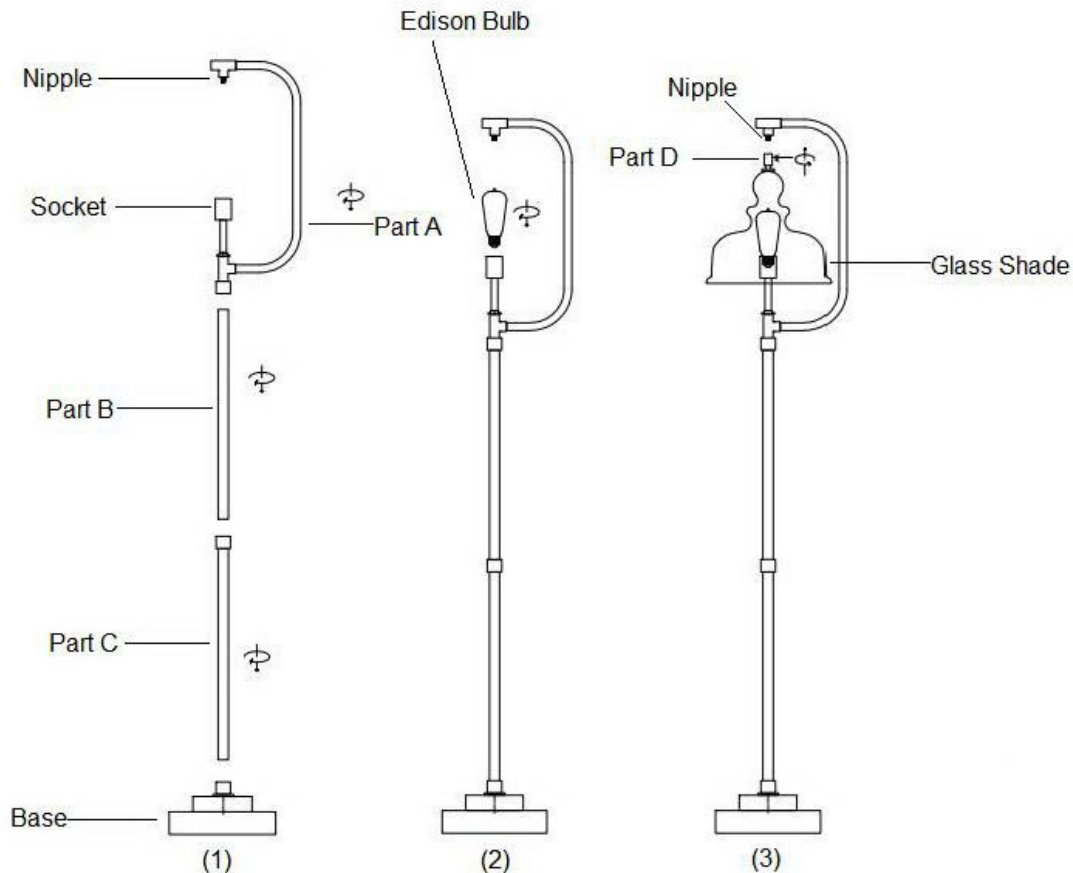
# UTTERMOST

## ASSEMBLY INSTRUCTIONS

**STYLE#: 28193-1**

**Carefully unpack all Assembly parts from the carton.**

1. Place the **Lamp Base** in an upright position on the floor, be sure the power to the installation point is power off.
2. Thread **Part C** into **Lamp Base**, turn clockwise to tighten until snug.
3. Thread **Part B** into **Part C**, turn clockwise to tighten until snug.
4. Thread **Part A** into **Part B**, turn clockwise to tighten until snug.
5. Install the **Edison Bulb**(Not Included) onto the **Socket** before connecting the plug to the electricity outlet Box.
6. Thread the **Glass Shade** onto the **Nipple**, Tighten the **Part D** clockwise.



28193-1