



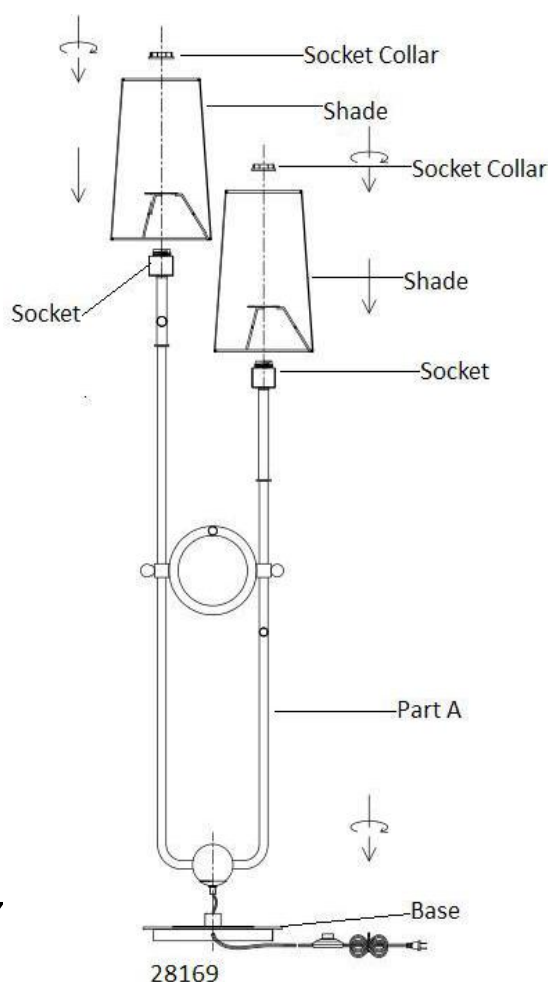
UTTERMOST

ASSEMBLY INSTRUCTIONS

STYLE#: 28169

Careful unpack all lamp parts from the carton.

1. Take the lamp carefully out of the Carton ,and place it on a flat surface .
2. Thread **Part A** into the **Base** by turning **Part A** clockwise to tighten until snug.
3. Tighten the **Shade** onto the **Socket** with **Socket Collar** clockwise to tighten until snug.
4. Install correct **Bulbs** referring to fixture markings and/or labels for maximum wattage.(Not Included)



IMPORTANT SAFETY INSTRUCTIONS

This portable lamp has a polarized plug (one blade is wider than the other) as a safety feature to reduce the risk of electric shock. This plug will fit in a polarized outlet only one way. If the plug does not fit fully in the outlet, reverse the plug. If it still does not fit, contact a qualified electrician. Never use with an extension cord unless plug can be fully inserted. Do not attempt to defeat this safety feature.