

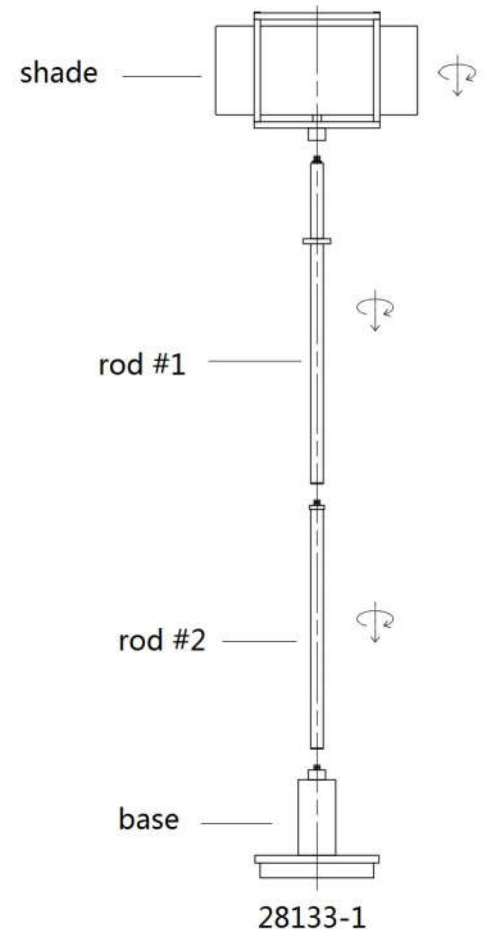


ASSEMBLY INSTRUCTIONS

STYLE# 28133-1

Careful unpack all lamp parts from the carton.

1. Take the lamp carefully out of the Carton, and place it on a flat surface.
2. Thread **rod #2** into the **Base** by turning **rod #2** clockwise to tighten until snug.
3. Thread **rod #1** into **rod #2** by turning **rod #1** clockwise to tighten until snug.
4. Thread the **shade** into **rod #1** by turning the **shade** clockwise to tighten until snug.
5. Install correct bulb referring to markings and /or labels for maximum wattage. (Not Included)



IMPORTANT SAFETY INSTRUCTIONS

This portable lamp has a polarized plug (one blade is wider than the other) as a safety feature to reduce the risk of electric shock. This plug will fit in a polarized outlet only one way. If the plug does not fit fully in the outlet, reverse the plug. If it still does not fit, contact a qualified electrician. Never use with an extension cord unless plug can be fully inserted. Do not attempt to defeat this safety feature.