



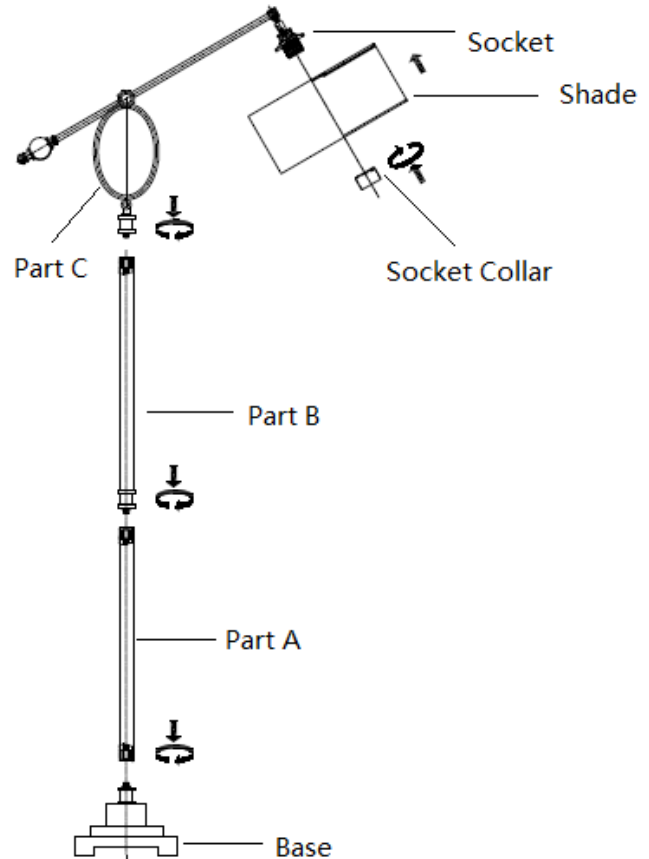
UTTERMOST

# ASSEMBLY INSTRUCTIONS

## STYLE#:28082-1

**UNPACK ALL LAMP PARTS ON A SOFT, SMOOTH SURFACE-INVENTORY ALL PARTS**

1. Place the base in an upright position on the floor.
2. Thread **Part A** into the **Base** by turning Part A clockwise to tighten until snug.
3. Thread **Part B** into **Part A** by turning Part B clockwise to tighten until snug.
4. Thread **Part C** into **Part B** by turning Part C clockwise to tighten until snug.
5. Position the round plate on the top of the **shade** through the **socket**. Thread the **Socket Collar** onto the **socket** to secure the **shade**. Hand tighten until snug.
6. Install correct Bulbs referring to fixture markings and /or labels for maximum wattage.(Not Included)



### IMPORTANT SAFETY INSTRUCTIONS

This portable lamp has a polarized plug ( one blade is wider than the other ) as a safety feature to reduce the risk of electric shock.

This plug will fit in a polarized outlet only one way. If the plug does not fit fully in the outlet, reverse the plug. If it still does not fit, contact a qualified electrician.

Never use with an extension cord unless plug can be fully inserted. Do not attempt to defeat this safety feature.

### CARE AND MAINTENANCE

**To clean wipe with a soft, dry cloth**