



UTTERMOST

## ASSEMBLY INSTRUCTION

Thank you for purchasing an Uttermost lamp. We hope you are as proud to display this lamp as we were to make it.

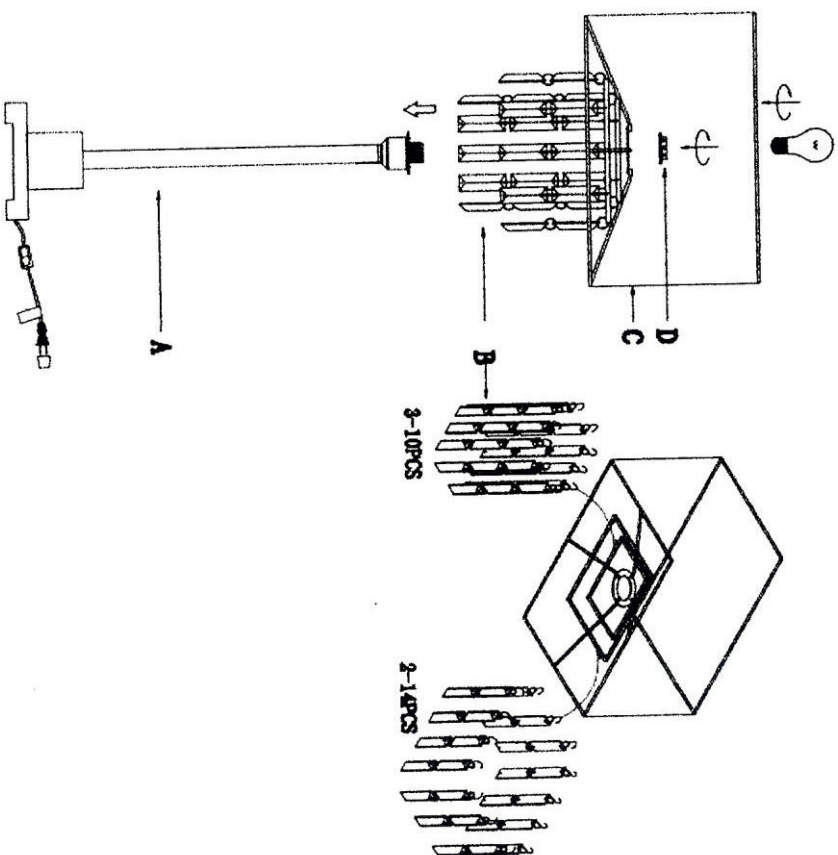
**MODEL NUMBER: 27805-1**

Please follow the instructions listed below.

1. Unpack all parts from the carton carefully and place them on a soft surface.
2. Place the shade ( C ) onto the socket, and then fasten it by socket ring ( D ). Then install the bulb into the Socket(bulb not included).
3. Hang the crystal drops (B ) onto the frame of the shade ( C ).  
P.S: hang the 10pcs long crystal drops in the inner frames, and 14pcs short drops into the outer frames.
4. This lamp requires a Type "A" 150 watt bulb(bulb not included).
5. Plug in and enjoy your lamp.

### Important safety instruction:

This table lamp has a polarized plug (one blade is wider than the other). As a safety feature, This plug will fit in a polarized outlet only one way. If the plug does fit fully in the outlet, reverse the plug. If it is still does not fit. Contact a qualified electrician. never use with an extension cord unless plug can be fully inserted. Do not attempt to defeat this safety feature.



PO BOX 558/3325 GRASSY HILL RD. ROCKY MOUNT, VIRGINIA 24151  
WWW.UTTERMOST.COM