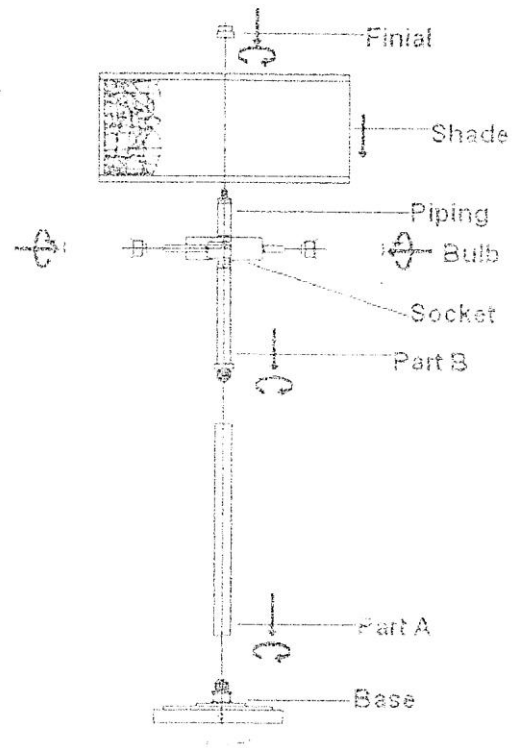


ASSEMBLY INSTRUCTIONS

STYLE# 26131-1

Carefully unpack all lamp parts from the carton.

1. Take the lamp carefully out of the Carton, and place it on a flat surface.
2. Thread the **Part A** onto the **Base** and turn clockwise to tighten secure.
3. Thread the **Part B** onto the **Part A** and turn clockwise to tighten secure.
4. Screw the beaded end of the **Piping** into the **Socket**.
5. Pass the centre hole on the top of **Shade** over on the top of the **Piping** top of the **Piping**.
6. Secure with the **Finial**. Hand tighten until snug.
7. Put the **ON/OFF 2*60W Bulb (not included)** onto the lamp before connecting the plug to the electricity outlet Box.



IMPORTANT SAFETY INSTRUCTIONS

This portable lamp has a polarized plug as a safety feature to reduce the risk of electric shock. This plug will fit in a polarized outlet only one way. If the plug does not fit fully in the outlet, reverse the plug. If it still does not fit, contact a qualified electrician. Never use with an extension cord unless plug can be fully inserted. Do not attempt to defeat this safety feature.