

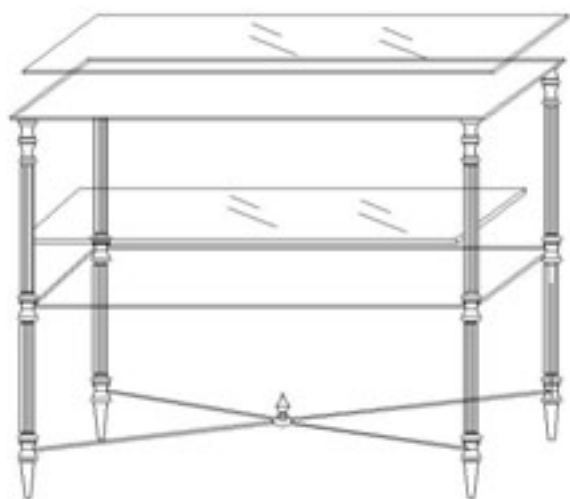
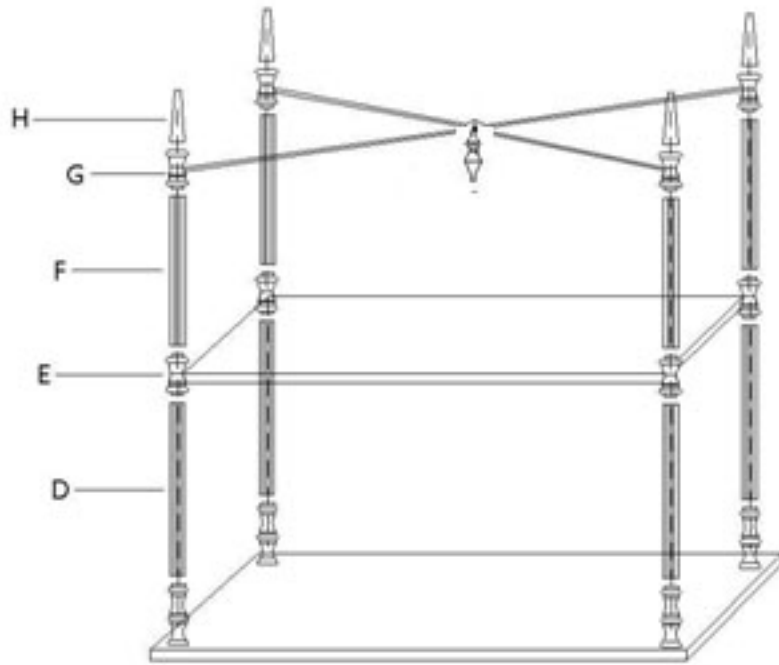
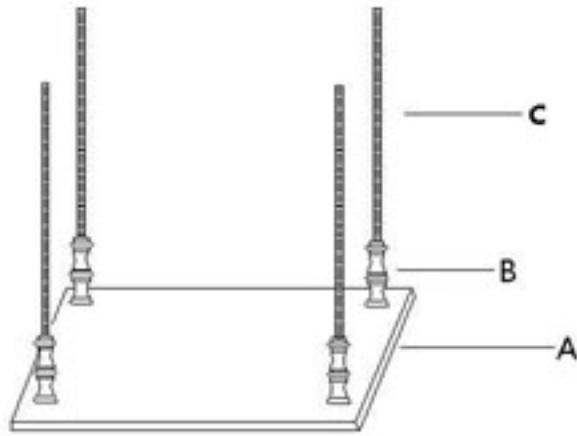
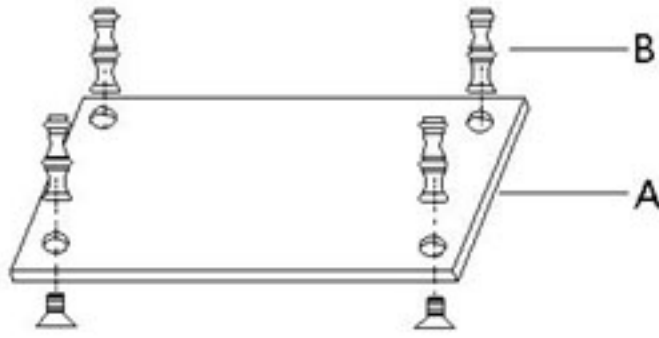


UTTERMOST

# Assembly Instruction

STYLE: 26120

Parts/Hardware list					
A	Top Shelf	1PC	E	Bottom Shelf (Empty)	1 PC
B	Connectors	4 PCS	F	Ribbed Tube (Short)	4 PCS
C	Threaded Rod	4 PCS	G	Stretcher	12 PCS
D	Ribbed Tube(Long)	4 PCS	F	Feet	4 PCS
	Mirror(for Top shelf)	1PC		Tempered Glass (for bottom)	1 PC
	Felt(for top mirror)	6PCS		Screws	4 PCS



1. Take the parts carefully out of the carton, and place them on a flat and soft surface, making sure that the parts will not be damaged.

2. Place the Top Shelf (A) upside down on a flat & soft surface, and then lift it a little bit at one corner and insert 1 screw from the screw hole at the side of the bottom, then tighten one Connector (B) at the other side until secure. Repeat this step to secure all the other three Connectors (B) with the Top Shelf (A).

3. Separately tighten the Threaded Rods (C) into the 4 Connectors(B), and let the 4 Ribbed Tubes (Long, D) go through the Threaded Rods (C), making sure that the bottom of the tubes align with the Connectors (B); and then let 4 connectors of the the Bottom Shelf (E,empty) go through The Threaded Rods(C).

4. Repeat Step 3 to place the 4 Ribbed Tube (Short,F) onto the Bottom Shelf (E), and then put the Stretcher (G) onto the top of Ribbed Tube (Short,F) and then separately screw the four feet (H) to secure all the parts (D,E,F,G).

5. Turn over the Table and carefully place the Tempered Glass onto the Bottom Shelf (E), and then put the Mirror onto the Top Shelf (A). If the Mirror is unflat, please use felts to make them flat(felt included).

To Clean, wipe with soft dry cloth.