

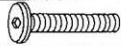
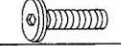





UTTERMOST

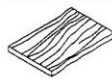


# Assembly Instruction

STYLE: 25979

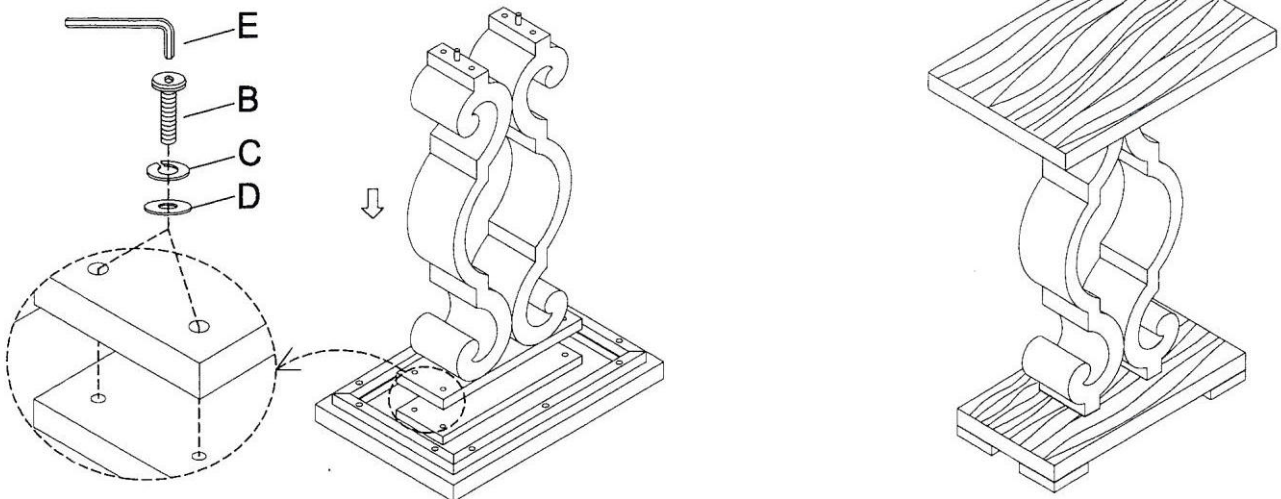
## Hardware list

A		Bolt Ø1/4**1-3/4"	4 pcs
B		Bolt Ø1/4**1-1/4"	4 pcs
C		Spring Washer Ø1/4"	8 pcs
D		Flat Washer Ø1/4"x19mm	8 pcs
E		Allen Wrench 4mm	1 pcs
F		Anti-tip	1set

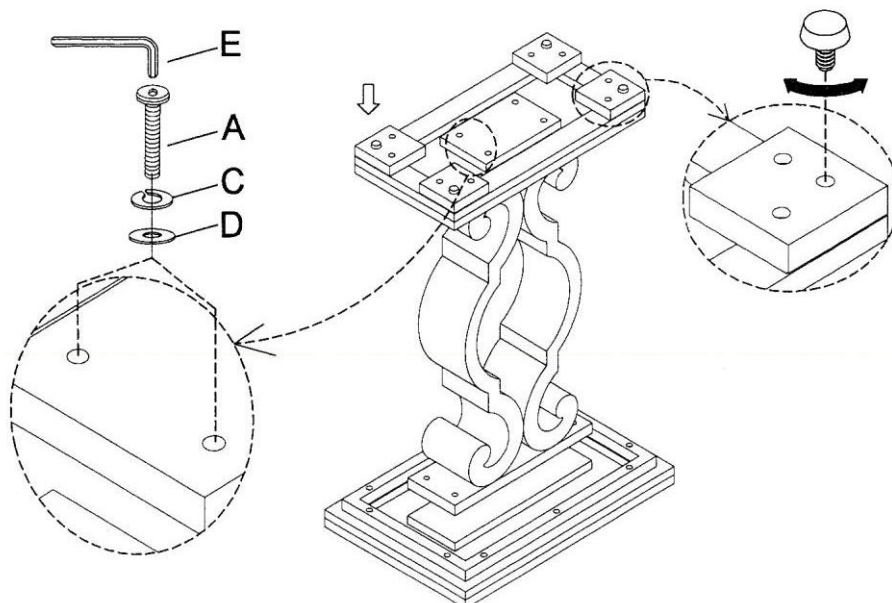
## Parts list

1		Top Table	1 pcs
2		Bottom Table	1 pcs
3		khung chân	1 pcs

### Step 1



### Step 2





UTTERMOST

# Assembly Instruction

STYLE: 25979

**Step 3 (optional):** Do this step if you need the anti-tip hardware, otherwise do not. Thanks !

