







UTTERMOST

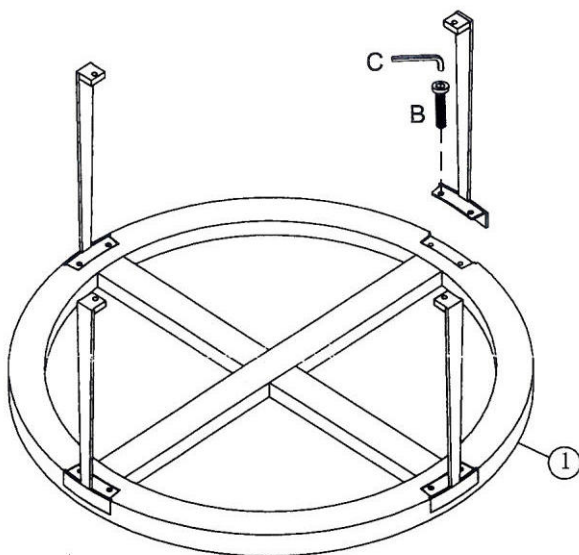
ASSEMBLY INSTRUCTIONS

ITEM: 25555

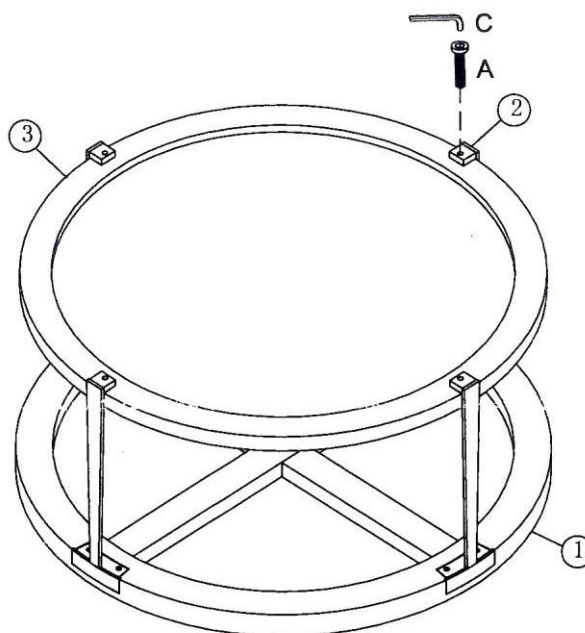
PARTS LIST							
NO	DRAWING	PARTS NAME	Q'TY	NO	PARTS NAME	DRAWING	Q'TY
A		BOLTS DIA 1/4"*1"	4PCS	1	TABLE TOP		1PC
B		BOLTS DIA 1/4"*3/4"	8PCS				
C		ALLEN WRENCH 1/4"	1PC				
				2	LEG		4PCS
				3	BOTTOM PANEL		1PC

ASSEMBLY BOLTS MAY NEED TIGHTEND AFTER USE

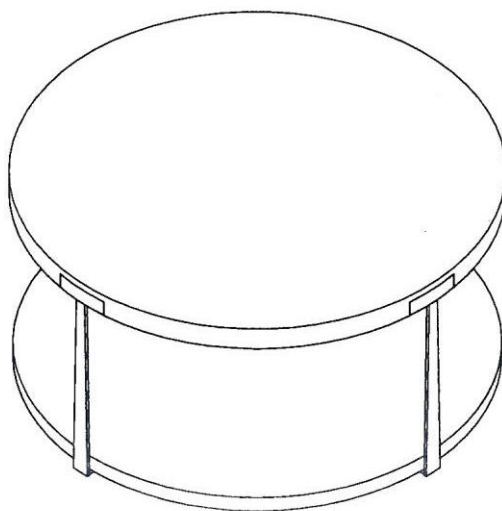
STEP 1



STEP 2



STEP 3



re-tighten the leg bolts after using a period of time