

UTTERMOST

ASSEMBLY INSTRUCTIONS

STYLE:25286

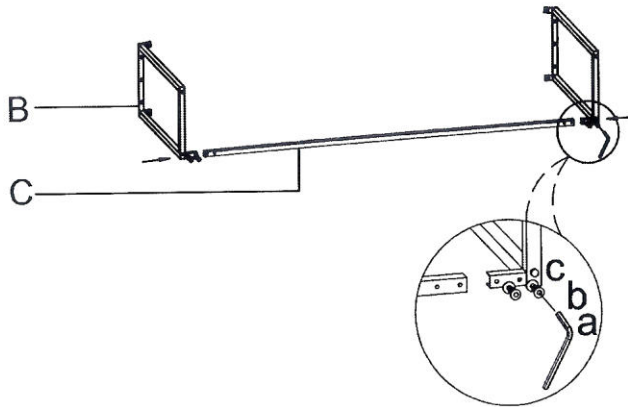
Parts list

A	Table Top	1 PC
B	Side Panel	2 PCS
C	Bottom Cross Rod	1 PC

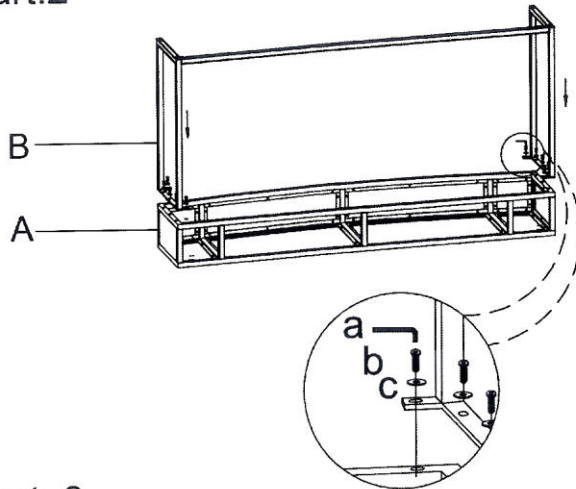
Hardware list

a	Allen Key	1 PC
b	Bolt 6x12	12PCS
c	Flat Washer	24PCS

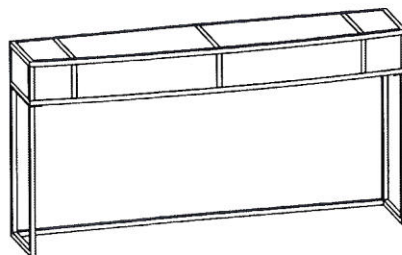
Part.1



Part.2



Part .3



1. Take the Parts carefully out of the carton, and then place them on a flat and soft surface, making sure that the parts will not be damaged.

2. Please insert the Iron tenon on the end of Side panel (B) into two end hollow pipe of the Bottom Cross Rod (C) appropriately. Individually screw the bolts (see part.1) and please do not tighten too much .

3. Put the metal base and Table Top (A) upside down on a flat and soft surface, then screw the bolts (see part.2) into the bottom of Table Top (A), Finally all bolts should be tightened clockwise until secure.

5. Turn the table over. Please rotate the adjustable foot pad on bottom of the Side panel (B) to level table. Assembly is complete.

To Clean, wipe with soft dry cloth.