

UTTERMOST

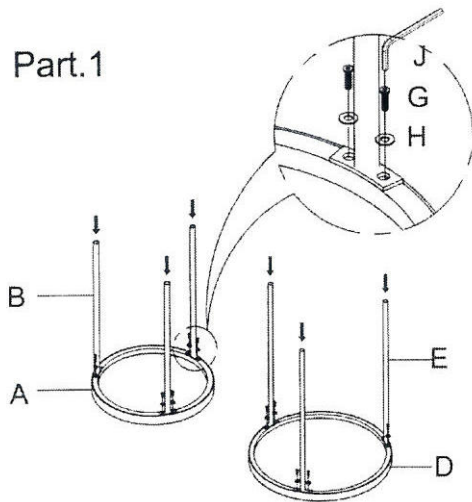
ASSEMBLY INSTRUCTIONS

STYLE:25284

Parts list/Hardware list

A	Table Top-S	1 PC	D	Table Top-L	1 PC
B	Table Leg-S	3 PCS	E	Table Leg-L	3 PCS
C	Base Frame-S	1 PC	F	Base Frame-L	1 PC
G	Bolt 6x10 mm	12 PCS	H	Washer	12 PCS
I	Bolt 6x20 mm	6 PCS	J	Allen Key	1 PC

Part.1



1. Take the Parts carefully out of the carton, and then place them on a flat and soft surface, making sure that the parts will not be damaged.

2. Put the Table Top upside down on a flat and soft surface, then fix the all Metal legs screw the Bolts-G (see part.1) into the bottom of Table Top appropriately, please do not tighten too much .

3. Then fix the Base frame with Bolts-I (see part.2) into the bottom of Table Leg appropriately, Finally all bolts should be tightened clockwise until secure.

4. Turn the table over. Assembly is complete.

To Clean, wipe with soft dry cloth.

Part.2

