

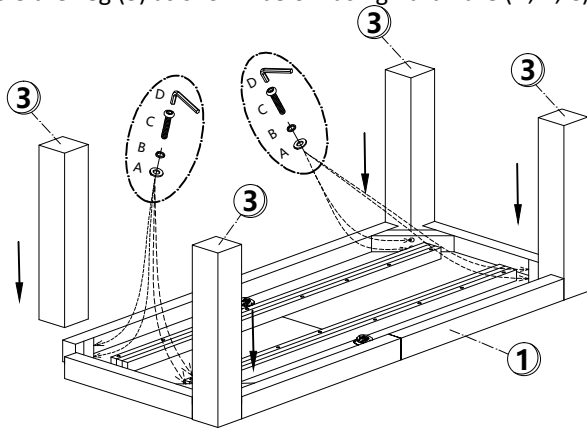
UTTERMOST

ASSEMBLY INSTRUCTIONS

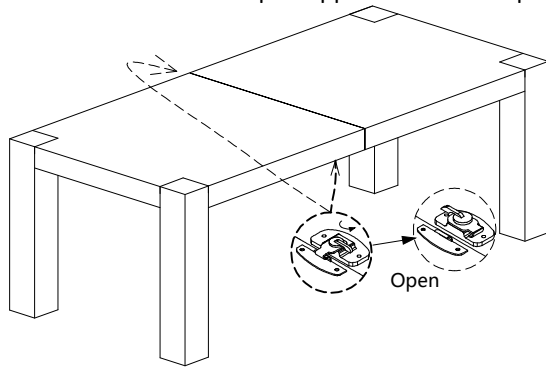
ITEM.: 25217

Page 1 of 1

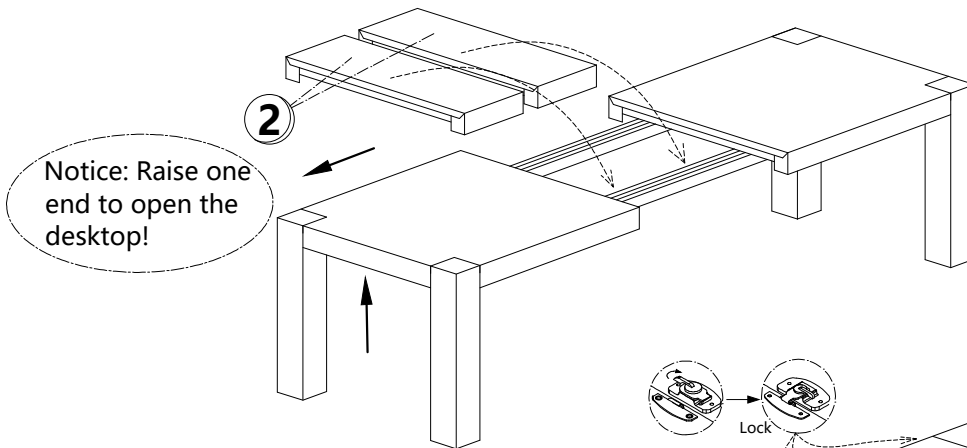
Step 1 Lay the Table Top (1) upside down on a soft, flat surface. Assemble the Leg (3) as shown below using hardware (A, B, C).



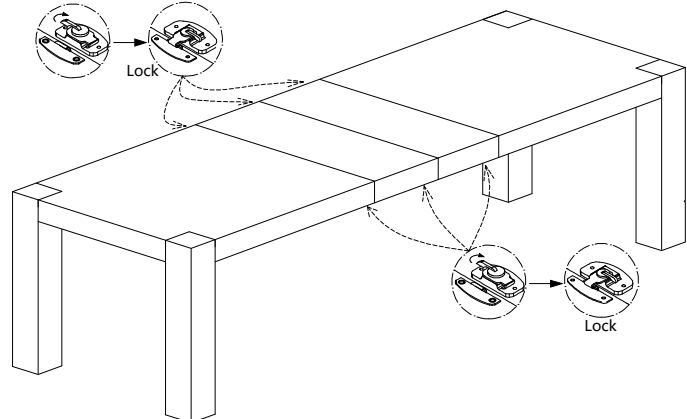
Step 2 Use a Team Lift to flip the table over in an upright position. Pull both ends of the table top at opposite ends to separate






Step 3 Install the Leaf (2). Be sure each hole and pin on either side of the Leaf line up.







Step 4 Secure the Leaf by locking the pins in place on the underside of the Table Top. Installation is complete.



PART LIST

NO.	DESCRIPTION	QTY
1	Table top 	1 Set
2	Leaf 	2 Pcs
3	Leg 	4 Pcs

HARDWARE

A	Flat washer 	8 pcs
B	Lock washer 	8 pcs
C	Bolt 	8 pcs
D	Allen wrench 	1 pc