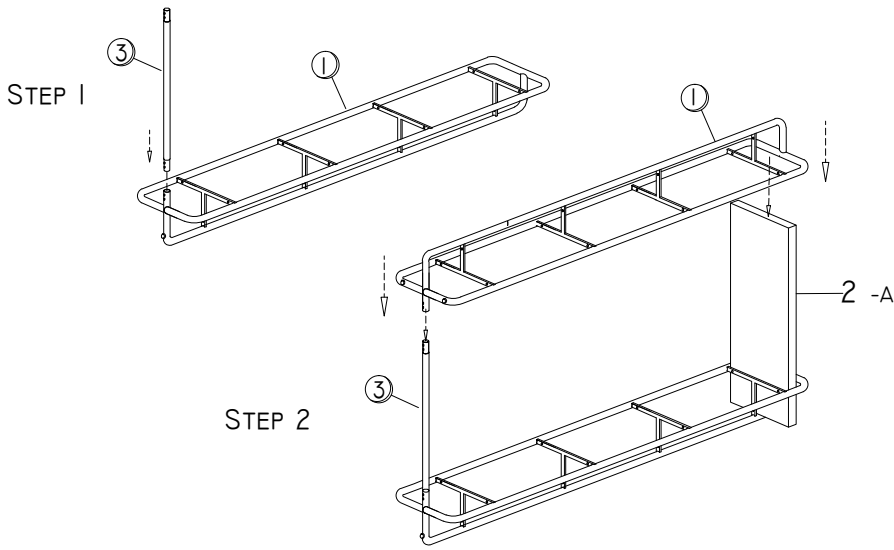





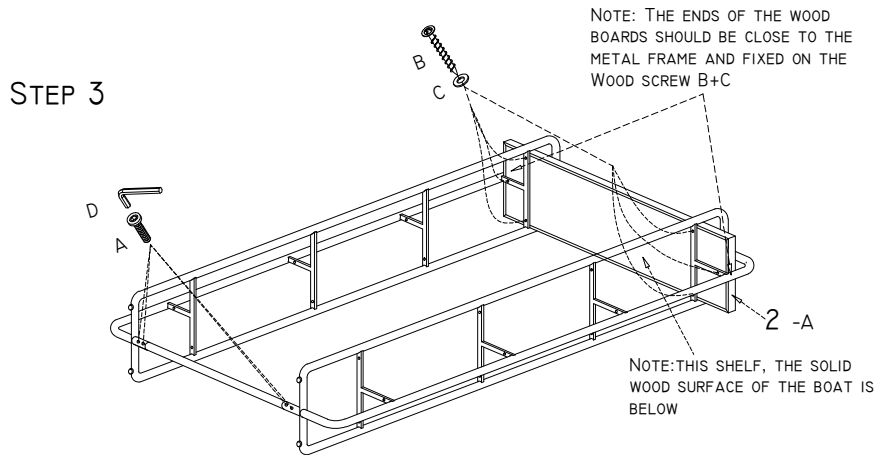
# UTTERMOST


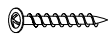


## ASSEMBLY INSTRUCTIONS

ITEM.: 24970



PART LIST		
NO.	DESCRIPTION	QTY
1	SIDE LEG 	2 PCS
2	SHELF A, B, C, D 	4 PCS
3	IRON CONNECTING ROD 	1 PC



ITEM	PART NAME	QTY
A	BOLT M6x15MM 	4
B	WOOD SCREW M4x30MM 	24
C	FLAT WASHER 	24
D	ALLEN WRENCH 	1

