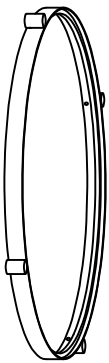
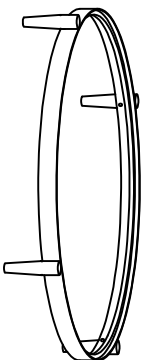


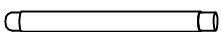
# ASSEMBLY INSTRUCTION



A. Table Top frame  
(1 PC)



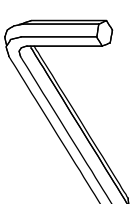
B. Bottom Frame  
(1 PC)



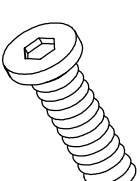
C. Acrylic legs  
(4 PCS)



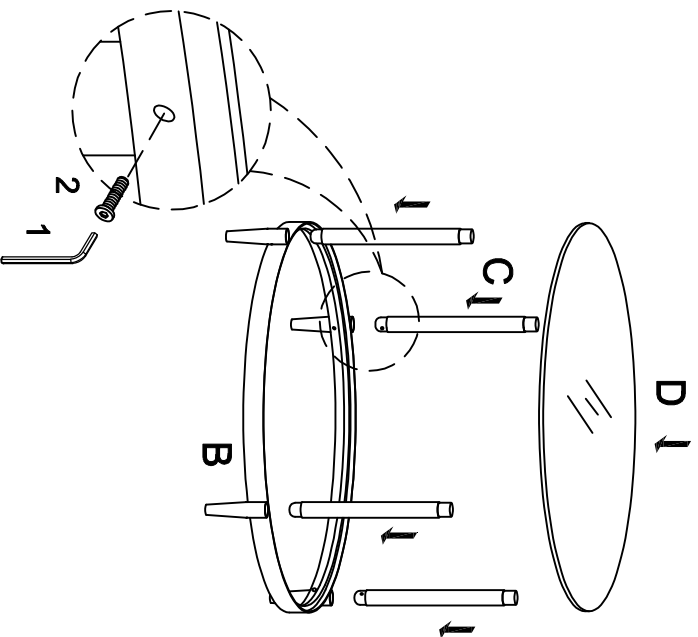
D. Tempered glass  
(2 PCS)



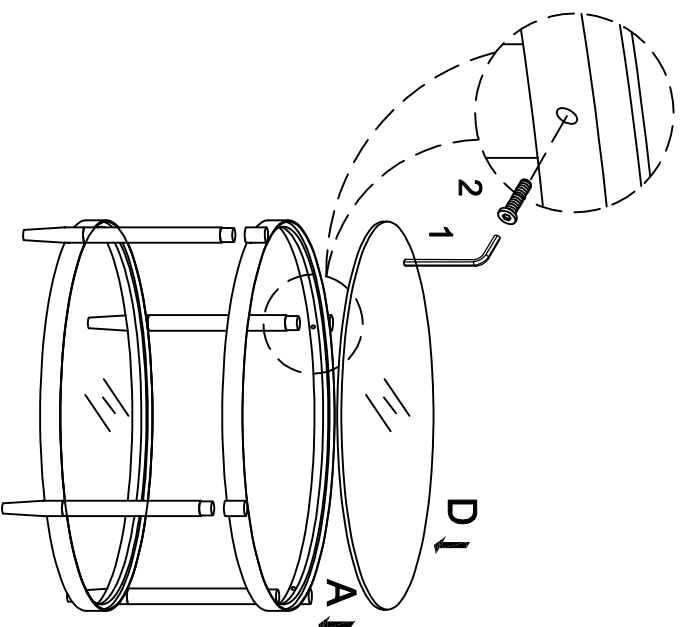
1. ALLEN KEY  
(1 PC)



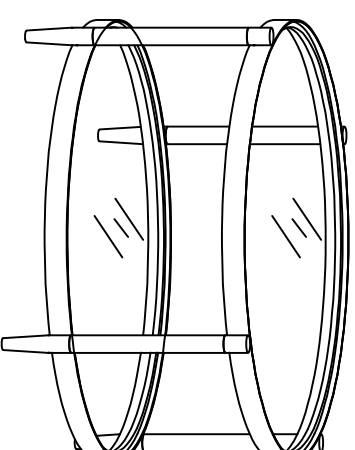
2. BOLT M6\*15MM  
(8 PCS)



STEP 1



STEP 2



STEP 3