







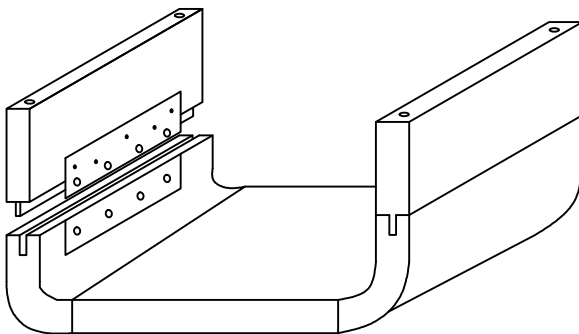
UTTERMOST

Assembly Instruction

ITEM NO.:24867

| | PART NAME | QTY |
|---|------------|-----|
| 1 | TABLE TOP | 1 |
| 2 | SIDE PANEL | 2 |

| ITEM | ITEM | ITEM |
|------|--|------|
| A | Flat washer  | 8 |
| B | Lock washer  | 8 |
| C | Bolt  | 8 |
| D | Allen wrench  | 1 |



1,Take the parts carefully out of carton,and then place them on a flat and soft surface,making sure that parts will not be damaged.

2,Place the table top lay on a flat and soft surface,then assemble with side panel from the hole and tenon.And use the same way to assemble the other side panel.

3,Use the wrench(E)to tighten up table and side panel by bolt(C) and washer(A),spring washer(B).

4Stand the shelf and the assembly is complete.

