



UTTERMOST

Assembly Instruction

ITEM#24775

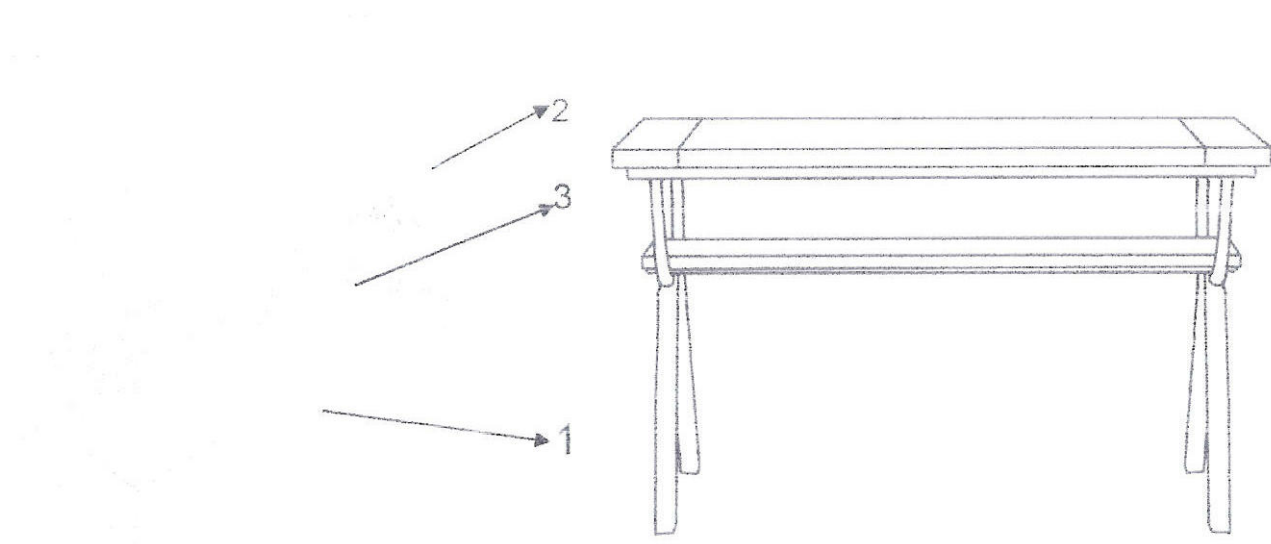
Component List:

- 1. Table Top1pc
- 2. Panel2pcs
- 3. Connecting1pc

Component List:

- a. Bolt.....10pcs
- b. Spring Washer.....10pcs
- c. Flat Washer10pcs
- d. Allen Wrench1pc

Step 1: Attach Panels(2) to Connecting(3) by using Bolts(a), Washers(b) and Lock Washers(c).
 Step 2: Attach Panels(2) and Connecting(3) to Table Top(1) by using Bolts(a), Washers(b) and Lock Washers(c) ,



Step 3: Stand up the table after installation.