



UTTERMOST

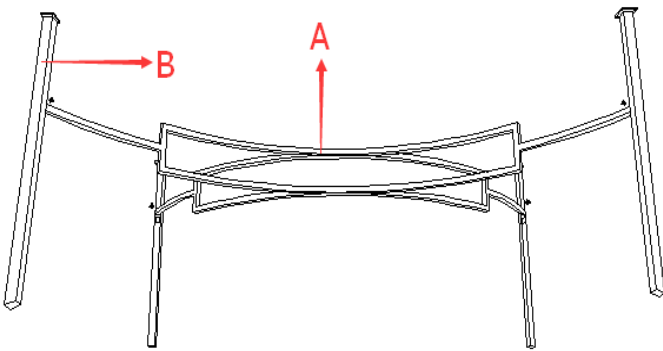
Assembly Instruction

Item :24634

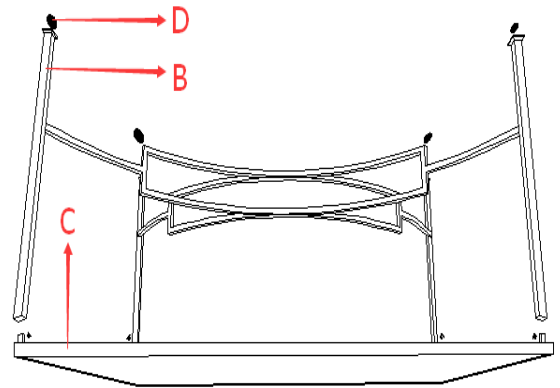
## Parts/Hardware list

A	Stretchers	1 PC	C	Top Frame	1 PC
B	Legs	4 PCS	D	Felt Pad	4 PCS
E	Glass Top	1 PC	F	Screws	8 PCS
G	Wrench	1 PC			

1. Take the parts carefully out of the carton, and place them on a flat and soft surface, making sure that the parts will not be damaged.
2. Assemble the Stretcher(A) Legs(B) together using 4 Screws like below picture (1). Please make sure all screw holes face to feet side.
3. Assemble the Legs(B) to Top Frame(C) using 4 Screws like picture 2.
4. Stick the Felt Pad(D) on the bottom of the Legs(B)

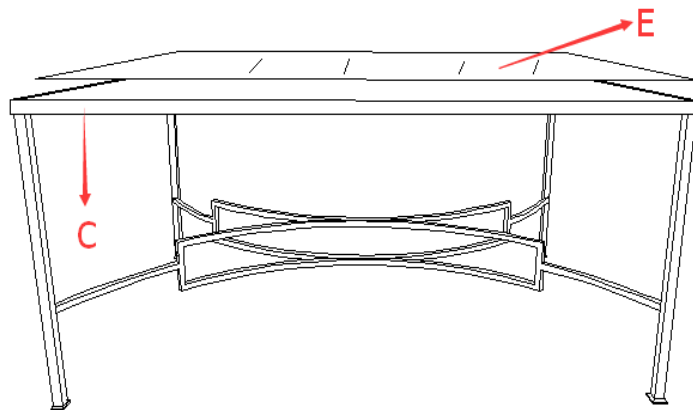


( 1 )



( 2 )

5. Turn over table and place the Glass Top(E) on top frame (C).



( 3 )

To Clean, wipe with soft dry cloth.