

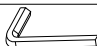






UTTERMOST

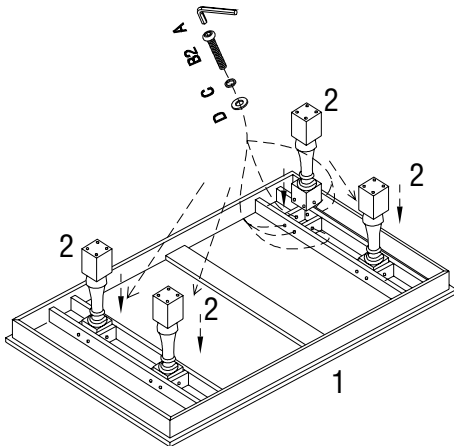
Assembly Instruction

ITEM NO.: 24557

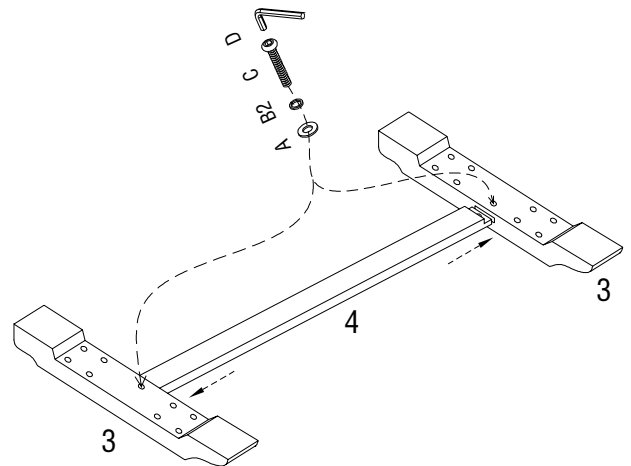
PART LIST		
NO.	DESCRIPTION	QTY
1	Table top	1 pc
2	Table leg	4 pcs
3	Trestle	2 pc
4	Trestle bar	1 pc

ITEM	PART NAME	QTY
A	Allen wrench 	1 pc
B1	Bolt (3") 	16 pcs
B2	Bolt (1.9") 	26 pcs
C	washer 	42 pcs
D	Lock washer 	42 pcs

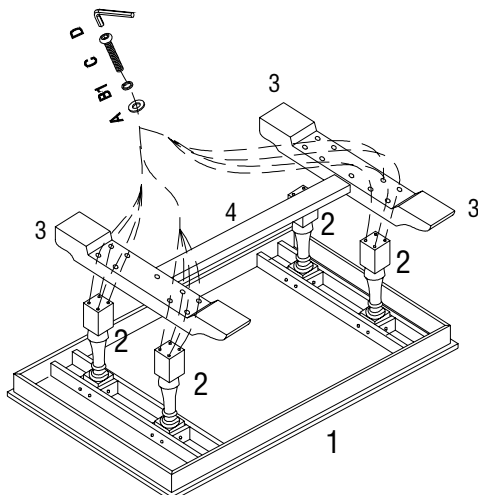
Step 1: When assembling install all bolts before securing any one bolt. Assembled top Table (1) and Leg (2), (note two holes and one hole direction). Use (B) (C) (D). With wrench (A) lock Bolt (B2).



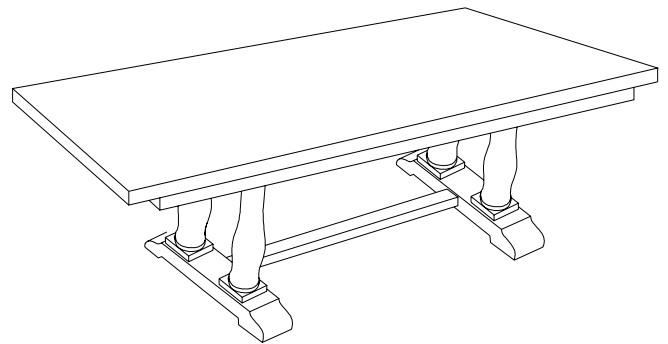
Step 2: Assembly base Trestle (3) and TrestleBar (4) Use (B) (C) (D). With wrench (A) lock Bolt (B2).



Step 3: Assemble the base (3 + 4) to the table Leg (2), Hole alignment. Use (B) (C) (D). With wrench (A) lock Bolt (B1).



Step 4: Turn over the table and the assembly is complete.



PO BOX 558/3325 GRASSY HILL RD. ROCKY MOUNT, VIRGINIA 24151

www.uttermost.com