



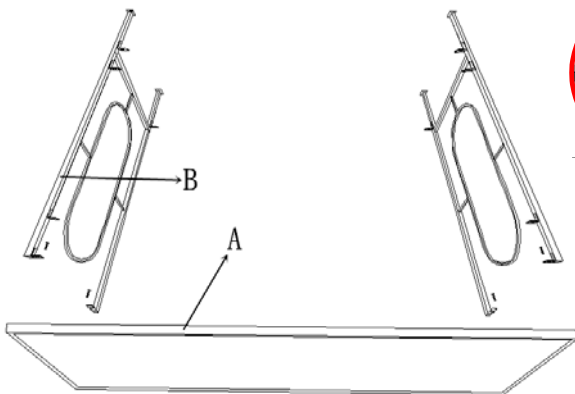
UTTERMOST

24541 Assembly Instruction

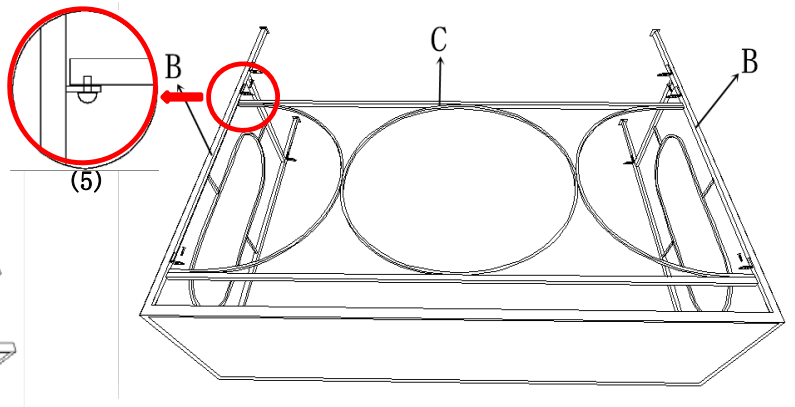
Parts/Hardware list

A	Top frame	1PC	E	Mirror	1PC
B	Side Frame	2PCS	F	Glass	1PC
C	Back frame	1PC	G	Felt pad	4PCS
D	Bottom Bar	2PCS	H	Screw	12PCS

1. Take the parts carefully out of the carton, and place them on a flat and soft surface, make sure that the parts will not be damaged.
2. Place the Top frame (A) upsidedown on a flat & soft surface.
3. Put two Side Frame (B) on the Top frame, let its top screw holes match screw holes on the Top Frame (A), Then mount screws by hand. In order to avoid screw holes not matching up, please do not tighten screws until all screws are mounted. Please refer to drawing (1).
4. Put Back Frame (C) between two Side Frames (B). Make sure smooth side(without welding spot) face outside, and Let its 4 screw holes close to screw holes on two Side Frames (B) and match each other, not one part insert another part. Then mount screws by hand. In order to avoid screw holes not matching up, please do not tighten screws until all screws are mounted. Please refer to drawing (2) (5).

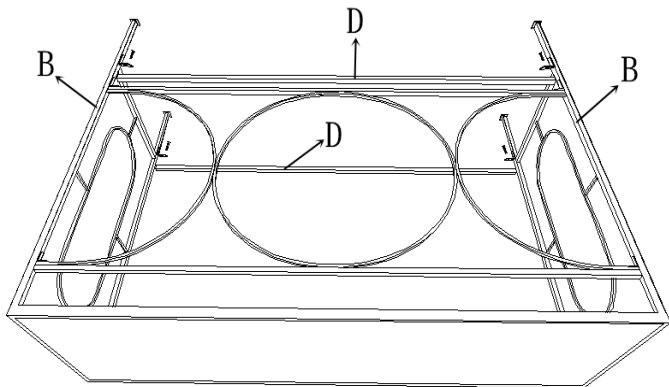


(1)

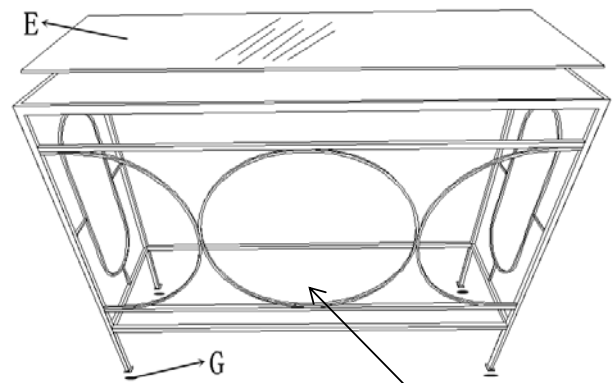


(2)

5. Put two Bottom Bar (D) between the two Side Frames (B). Make sure glass rabbet (no welding spot) face the Top Frame (A) and inner side. Match screw holes each other, not one part insert another part, just one part close to another part. Then mount screws by hand. In order to avoid screw holes not matching up, please do not tighten screws until all screws are mounted. Please refer to drawing (3) (5).
6. Tighten all screws. Stick the Felt pad (G) on the bottom of feet on the Side Frames (B)
7. Turn over the table. Please carefully place the mirror (E) on the Top Frame (A), the Glass (F) on the bottom frame like below picture.
8. To clean, wipe with soft dry cloth.



(3)



(4)