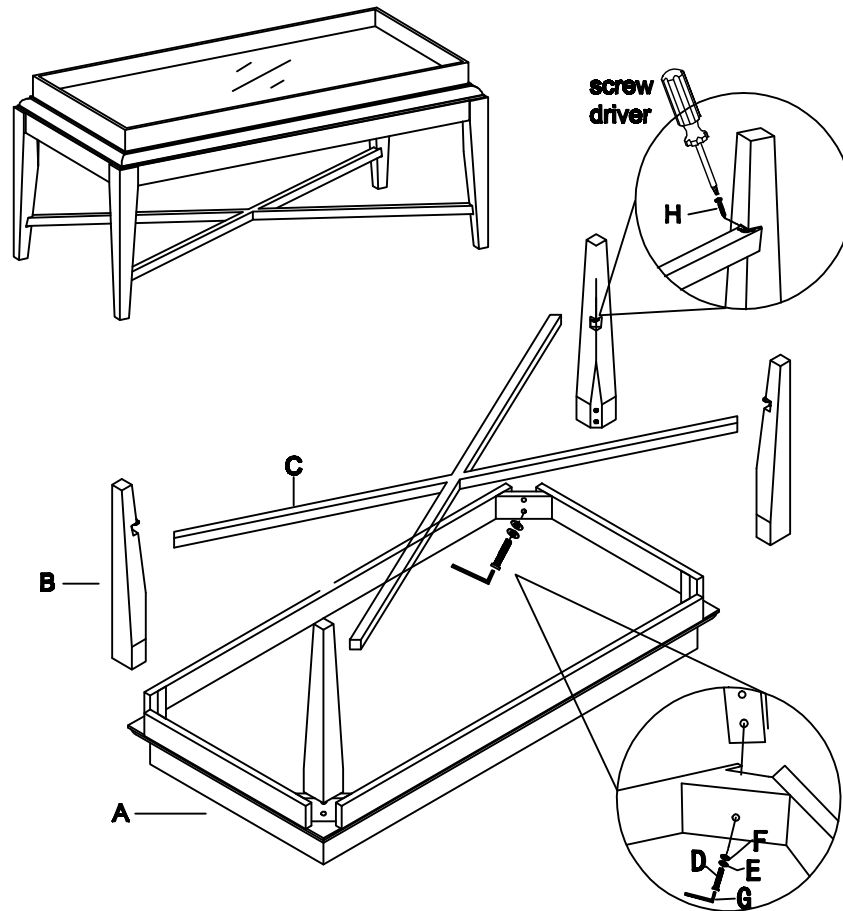




# Assembly Instruction

## Item#24526



1. Take the parts carefully out of the carton, and place them on a flat surface, and make sure the parts will not be damaged.
2. Put the Top(A) upside down on a clean and soft surface, put 1pc each Spring washer(E) and Flat washer (F) onto a Bolt (D), then insert the Bolt with washers into a corresponding hole in a leg(B) through the corresponding hole of Top(A), and tighten it with Allen wrench(F).
3. Repeat the step-2 to complete all the legs, then turn the assembled table in upright position.
4. Insert the Stretcher (C) into the notch of each leg, then fix it with Screw (H) into the stretcher through the L-bracket (fixed in the notch of leg) by Screw driver (not provided)..
5. Repeat the step-4 to complete whole stretcher, then turn the assembled table in upright position.
6. Put the mirror tray onto the top of table.

**Parts and Hardware included:**

Main parts:		Qty
A	Table top	1pc
B	Leg	4pcs
C	Stretcher	1pc

Hardware pack:		Qty
D	Bolt	8pcs
E	Spring washer	8pcs
F	Flat washer	8pcs
G	Allen wrench	1pc
H	Screw	4pcs

To clean, wipe with soft dry cloth.