



UTTERMOST

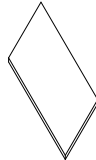
Assembly Instruction

ITEM#24487

Component List:

1. Table Top1pc

2. Leg2pc



1



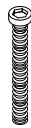
2

Component List:

a. Bolt12pcs

c. Flat Washer12pcs

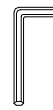
d. Allen Wrench1pc



a



b

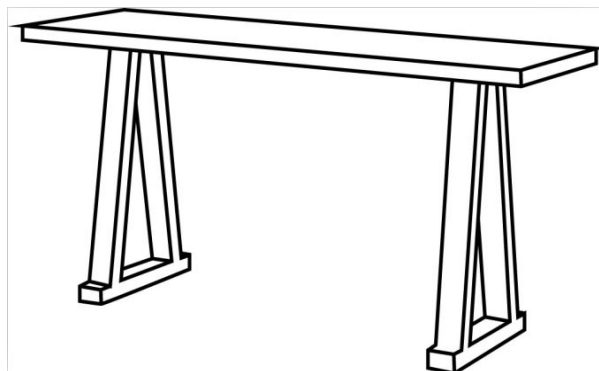
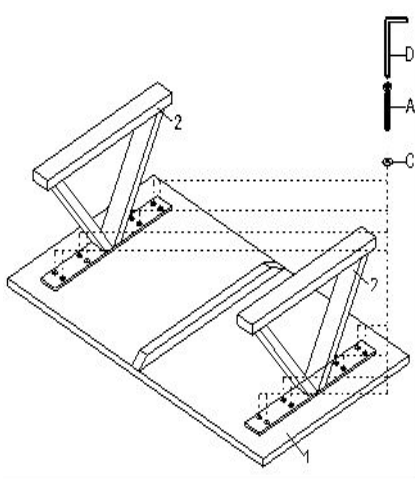


c

d

Step 1. Put the Table top(1) on a soft, clean place.

Step 2. Assemble the Base(2) to Table Top(1) by using Bolt(a), Spring Washer(b) and Flat Washer(c). Tighten with Allen Wrench(d).



Step 3: Stand up the table after installation.