



UTTERMOST

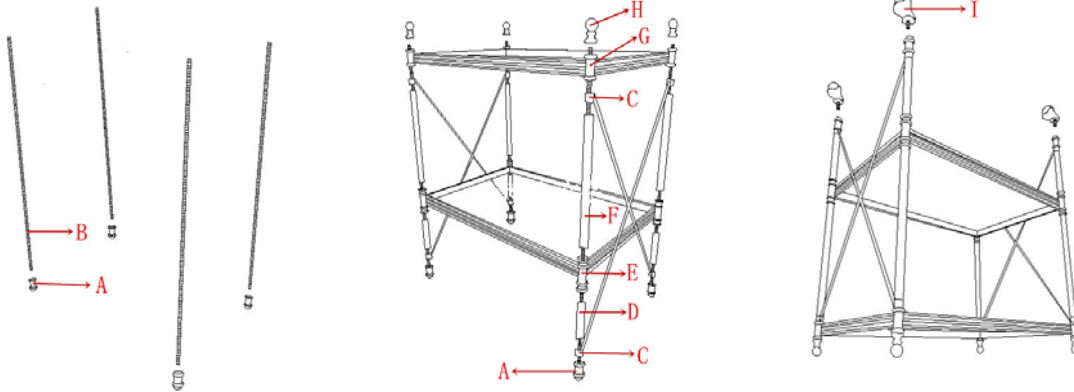
Assembly Instruction

Item :24464

Parts/Hardware list

A	Connector	4PCS	B	Threaded Rod	4PCS
C	Stretcher	2PCS	D	Post (short)	4PCS
E	Bottom Shelf	1PCS	F	Post (long)	4PCS
G	Top Shelf	1 PC	H	Finial	4PCS
I	Casters	4PCS	J	Gold leaf glass	2PCS

1. Take the parts carefully out of the carton, and place them on a flat and soft surface, making sure that the parts will not be damaged.
2. Screw 4pcs Threaded Rod (B) to Connector (A)
3. Separately let Threaded Rod (B) pass through one side of stretcher (C) (color dot face inside), the Post (short) (D) ,bottom shelf (E), the post (long)(F),another side of stretcher (C) and top shelf (G).
4. Separately screw the four finial (H) to secure all the parts (C,D,E,F,G).
5. Assemble Caster (I) to Bottom of Connector (A) and fasten them.



6. Turn over the table, and place the gold leaf glass (J) on Top and bottom shelf. softly clean & wipe with dry cloth.

