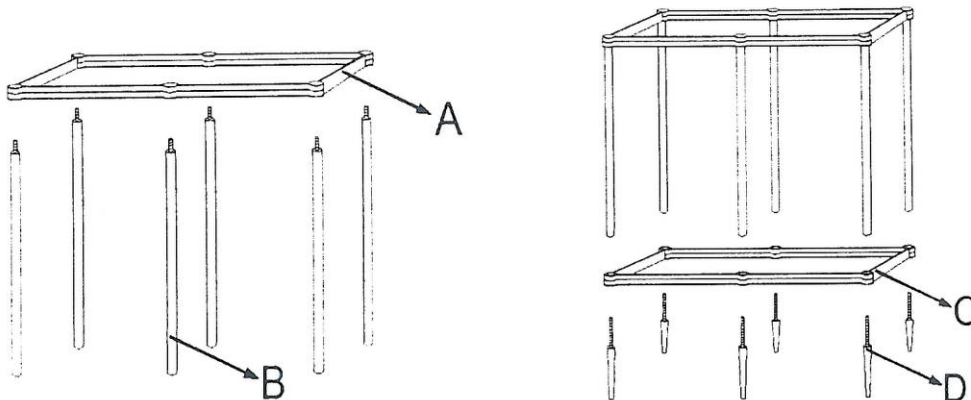


Parts/Hardware list

A	Stretcher	1 PC	C	Mid Stretcher	1 PC
B	Legs	6 PCS	D	Feet	6 PCS
			E	Glasses	2 PCS

1. Take the parts carefully out of the carton, and place them on a flat and soft surface, making sure that the parts will not be damaged.
2. First, assemble The Legs(B) to the Stretcher(A) .
3. Then, assemble the Legs(B) to Mid Stretcher(C) Feet(D) together.



4. Place the Glasses (E) and softly clean & wipe with dry cloth.

