



UTTERMOST

# Assembly Instruction

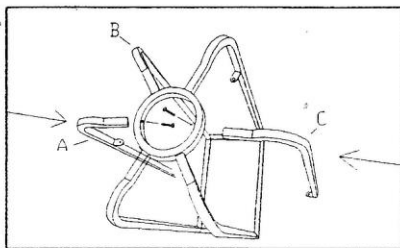
## STYLE: 24378

### Parts list

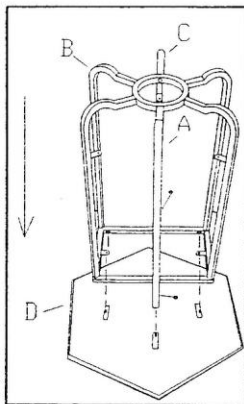
A/C	METAL TUBE	2PCS
B	TABLE LEG	1PC
D	TABLE TOP	1PC
E	WOOD SHELF	1PC

### Hardware list

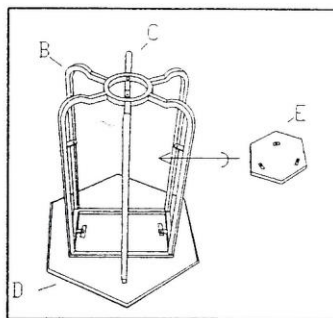
NUT	7PCS
WRENCH	1PC
ALLEN HEAD BOLT	2PCS
ALLEN WRENCH	1PC



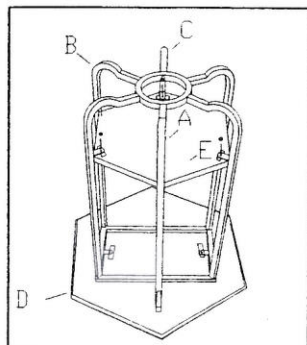
1. Take the parts carefully out of the carton, and then place them on a flat and soft surface, make sure that the parts will not be damaged.



2. Take the 2 pieces of Metal Tube(A and C) and close to fit Table Leg(B),and then use the Allen Head Bolts to secure the Table Leg(B)with the 2 pieces of Metal Tube(A and C).Allen Wrench is used here.



3.Place the Table Top (D) upside down on flat and soft surface, leaving the screws upward.Take the Table legs(B with A&C) and close to fit the Table Top(D), and then use the screw nuts to secure the Table Top (D) with the Table Legs(B with A&C ). Wrench is used here.



4. Place the Wood Shelf (E) among the six Table Legs (B with A&C ),leaving the screws upward,make sure the screw holes on the Legs(B with A&C) fit in with the screws under the Wood Shelf (E), and then use the screw nuts to secure the Wood Shelf (E) with the Table Legs(B with A&C ). Wrench is also used here.

5. Turn over the table and the assembly is completed.

To Clean, wipe with soft dry cloth.