



UTTERMOST

Assembly Instruction

ITEM#24345

Component List:

- 1. Table Top1pc
- 2. Leg4pcs
- 3. Connecting1pcs



1



2



3

Component List:

- a. Bolt4pcs
- b. Spring Washer.....4pcs
- c. Flat Washer4pcs
- d. Allen Wrench1pc
- e. Wood Screw4pcs



a



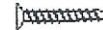
b



c



d

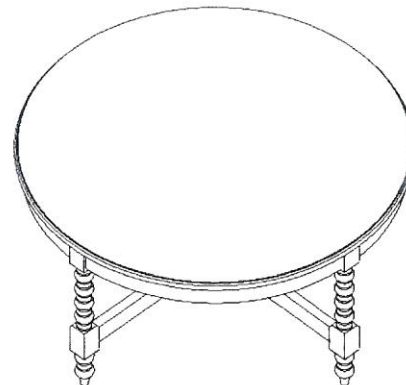
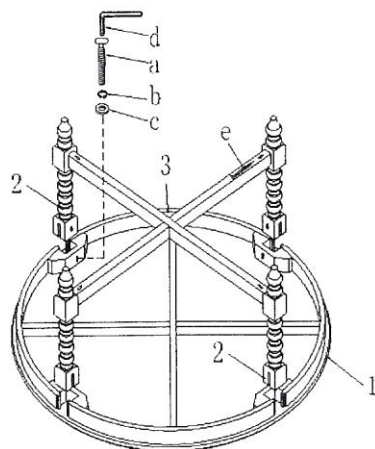


e

Step 1: Attach Legs(2) to Connecting(3) by using Wood Screw(e).

Step 2: Attach Legs(2) and Connecting(3) and Apron (3)

to Table Top(1) by using Bolts(a), Washers(b) and Lock Washers(c) .



Step 3: Stand up the table after installation.