



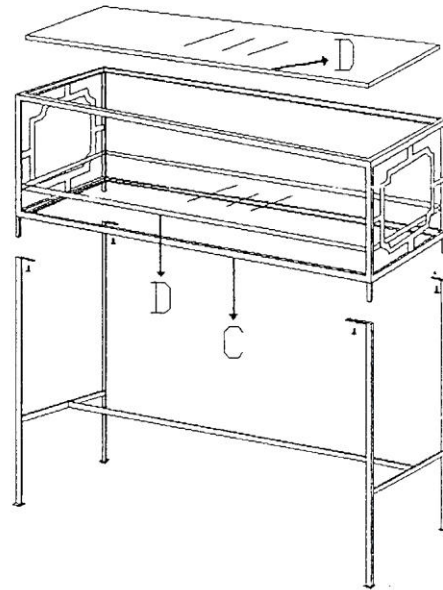
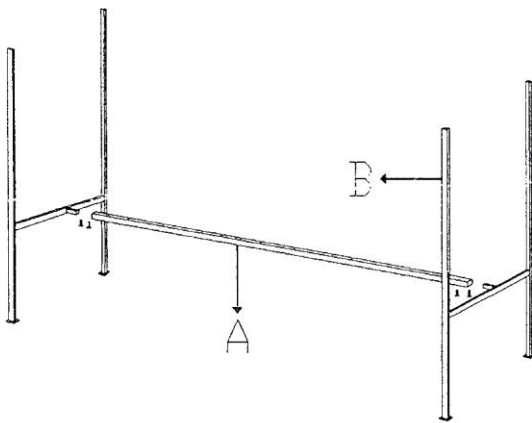
Assembly Instruction

Item :24335

Parts/Hardware list

A	Mid.bar	1PC	C	2Tiered Shelf	1 PC
B	Side Legs	2PCS	D	Glass Tops	2PCS
			E	Screws	8PCS

1. Take the parts carefully out of the carton, and place them on a flat and soft surface, making sure that the parts will not be damaged.
2. Assemble Mid.bar(A) and Side Legs(B) using Screws.
3. Assemble the Side Legs(B) and 2 Tiered Shelf(C) together using screw
4. Carefully place the Glass Tops(D) as show in below picture.



5. Softly clean & wipe with dry cloth.

