



UTTERMOST

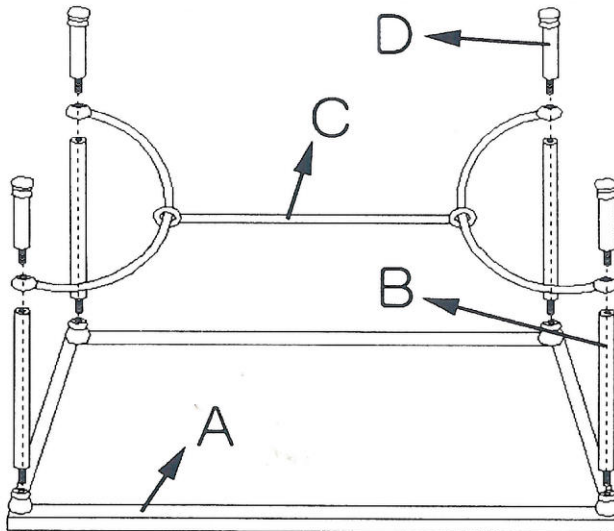
Assembly Instruction

Item :24334

Parts/Hardware list

A	Iron Frame	1 PC	D	Feet	4 PCS
B	Mid. Poles	4 PCS	E	Glass Top	1 PC
C	Stretcher	1 PC			

1. Take the parts carefully out of the carton, and place them on a flat and soft surface, making sure that the parts will not be damaged.
2. Place the Iron Frame (A) upside down on clean flat surface.
3. Assemble the threaded part on the Pole(B) into the holes on Frame(A).
4. Assemble the Poles(B) & Stretcher(C) together using four threaded Feet(D).



3. Carefully turn over the table as shown in below picture and place the Glass Top(E). Softly clean & wipe with dry cloth.

