



UTTERMOST

# Assembly Instruction

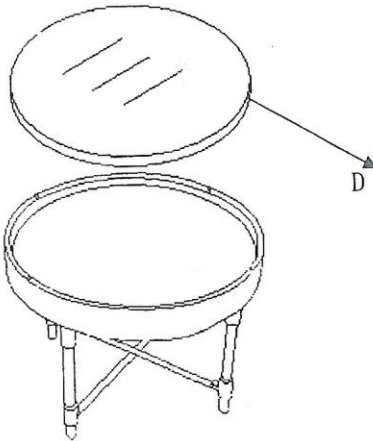
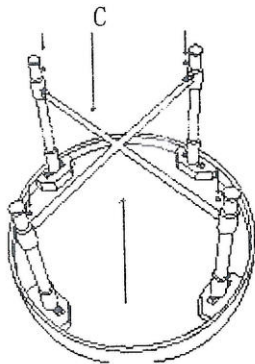
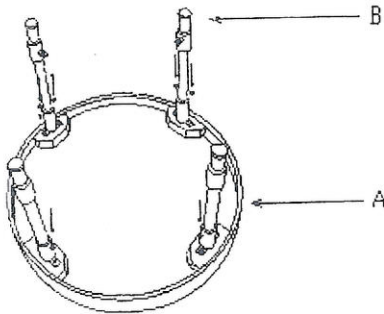
## STYLE:24321

### PART LIST

A	TABLE TOP	1PC
B	LEG	4PCS
C	SUPPORT CROSS	1PC
D	TEMPERED GLASS	1PC

### Hardware list

NUT	12PCS
WRENCH	1PC
TRANSPARENT WASHER	4PCS
FLAT WASHER	12PCS



1. Take the parts carefully out of the carton, and then place them on a soft and flat surface, making sure that the parts will not be damaged.
2. Insert screws under the Table top(A) into holes of the Legs( B ), then screw tight with the nuts and flat washers.
3. Use nuts and flat washers to secure the Support cross ( C ) with the Legs( B ).
4. Turn the table over, put the 4pcs transparent washers on the Table top (A) edge, then put the Tempered glass ( D ) on.
5. Assembly is completed. To clean, use a dry soft cloth.