



UTTERMOST

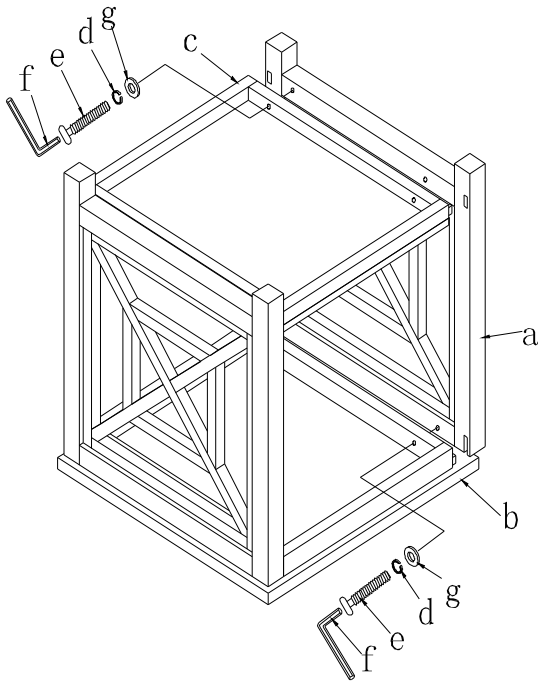
# Assembly Instruction

ITEM NO.:24263

## Parts list

a	side panel	2pcs
b	table top	1pc
c	shelf	1pc

d	washer	8pcs
e	bol t	8pcs
f	wrench	1pc
g	lock washer	8pcs



1. Take the parts carefully out of carton, and then place them on a flat and soft surface, making sure that parts will not be damaged.

2. Assemble Side Panels(a) to Table Top(b) as shown. Don't tighten yet.

2. Attach shelf(c) to Side Panels(a) by using Bol ts(e), Washers(d) and Lock Washers(g).

4. Tighten all Bol ts(e) by Allen Wrench(f). And turn the table upright.

To Clean, wipe with soft dry cloth.

PO BOX 558/3325 GRASSY HILL RD. ROCKY MOUNT, VIRGINIA 24151

[www.uttermost.com](http://www.uttermost.com)