



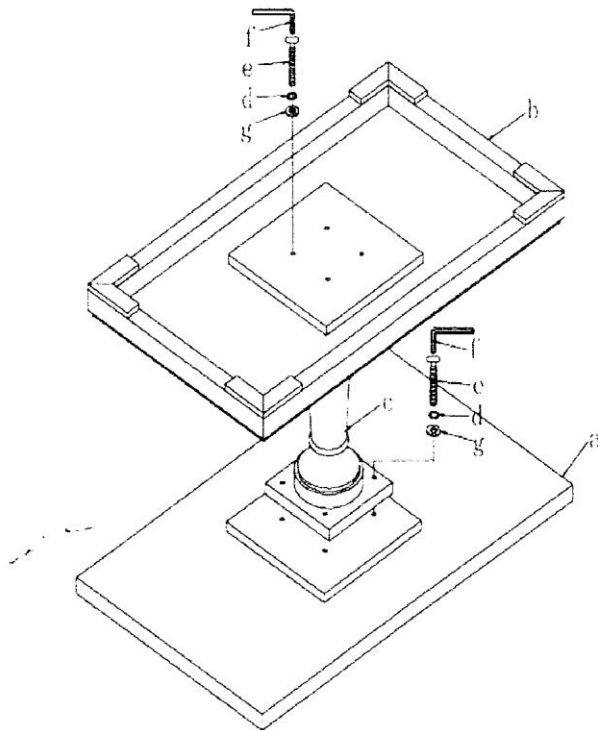
UTTERMOST

# Assembly Instruction

## ITEM NO.: 24252

a	table top	1pc
b	bottom panel	1pc
c	post	1pc
d	washer	8pcs

e	longer blot	4pcs
	shorter blot	4pcs
f	wrench	1pc
g	spring washer	8pcs



1. Take the parts carefully out of carton, and then place them on a flat and soft surface, making sure that parts will not be damaged. When assembling install all bolts before securing any one bolt.

2. Place the table top (a) lay on a flat and soft surface, then put the post (c) on the table top. Use the shorter bolt (e) and washer (d), spring washer (g) to install all hole but don't tight.

3. Put the bottom panel (b) to the post (c) by longer blot (e), washer (d) and spring washer (g) to install all hole, then tight all bolt with wrench (f).

4. Turn over the table and the assembly is complete.

To Clean, wipe with soft dry cloth.