



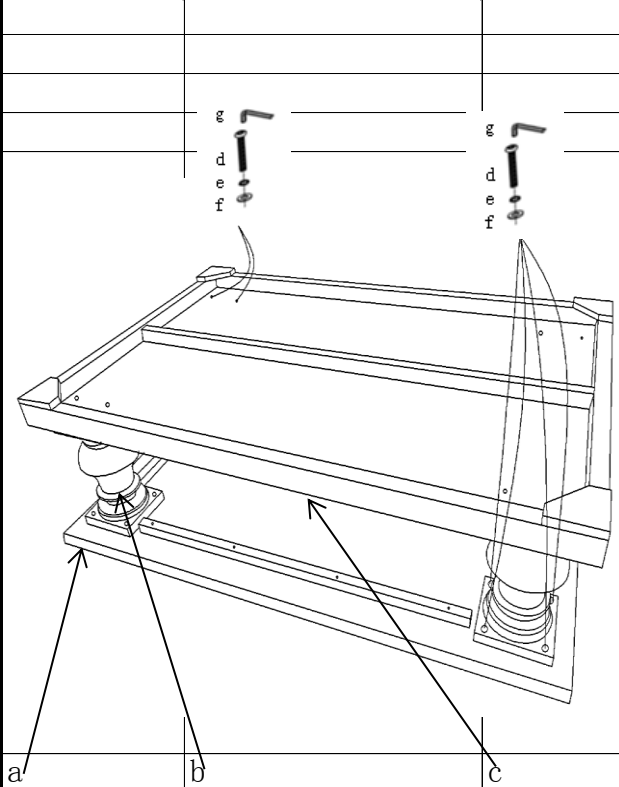
UTTERMOST

Assembly Instruction

ITEM NO.: 24251

Parts list

a	table top	1pc	e	washer	24pcs
b	table leg	4pcs	f	lock washer	24pcs
c	table bottom	1pc	g	wrench	1pc
d	bolt	24pcs			



1. Take the parts carefully out of carton, and then place them on a flat and soft surface, making sure that parts will not be damaged. When assembling install all bolts before securing any one bolt.

2. Place the table top (a) on a flat and soft surface, then put table leg (b) on the table top (a), Make sure the two holes at one side of legs match the two holes on table bottom. then install all bolt (d) and washer (e), lock washer (g) but don't tight.

3. Put the table bottom (c) on the legs and install bolt (d) and washer (e), lock washer (g) then tight all bolt with wrench (e).

4. Turn over the table and the assembly is complete.

To Clean, wipe with soft dry cloth.

PO BOX 558/3325 GRASSY HILL RD. ROCKY MOUNT, VIRGINIA 24151

www.uttermost.com

