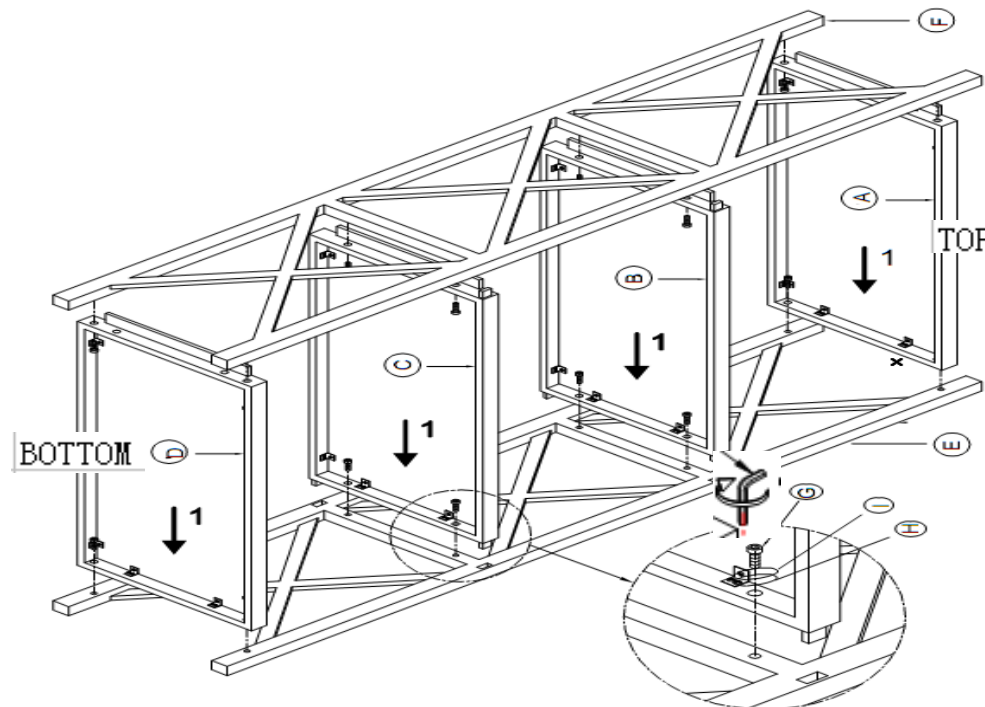


Assembly Instruction

ITEM NO.: 24248

Parts list

A	shelf	1pc	F	side panel	1pc
B	shelf	1pc	G	bolt	16pcs
C	shelf	1pc	H	washer	16pcs
D	shelf	1pc	I	lock washer	16pcs
E	side panel	1pc	J	wrench	1pcs



1. Take the parts carefully out of carton, and then place them on a flat and soft surface, making sure that parts will not be damaged.

2. Place the side panel (E) lay on a flat and soft surface, then assemble (A)(B)(C)(D) with side panel (E) from the hole and tenon. And use the same way to assemble the other panel (F).

3. Use the wrench (J) to tighten up by bolt (G) and washer (H), lock washer (I)

4. Stand the table and the assembly is complete.

To Clean, wipe with soft dry cloth.

