



UTTERMOST

Assembly Instruction

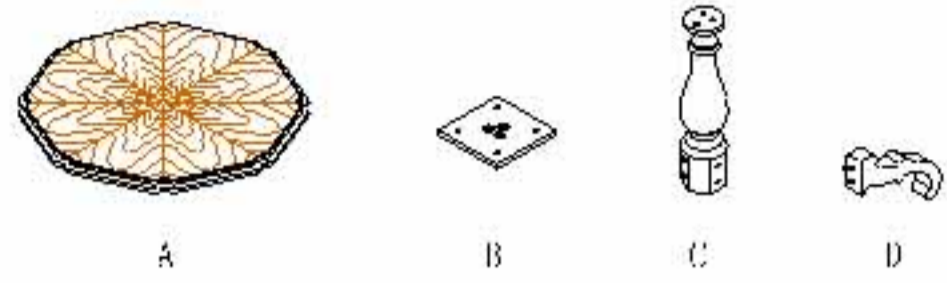
ITEM#24193

Component List:

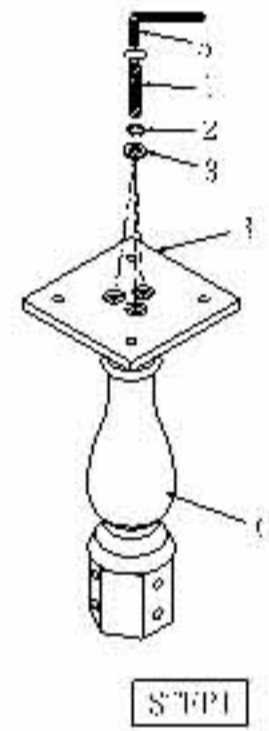
- A. Table Top.....1pc
- B. Mounting board.....1pc
- C. Post.....1pc
- D. Leg.....3pcs

Component List:

- 1. Bolt.....7pcs
- 2. Spring Washer.....10pcs
- 3. Flat Washer.....10pcs
- 4. Nut.....3pcs
- 5. Allen Wrench.....1pc
- 6. Wrench.....1pc

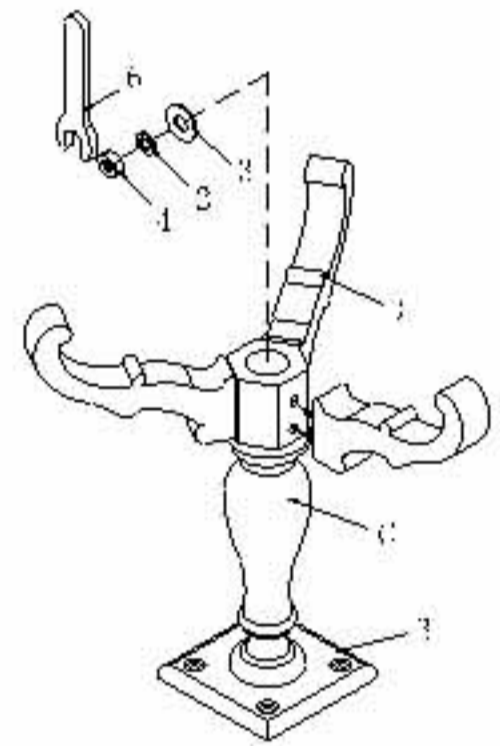


Step(1). Connect the Mounting board and the post.



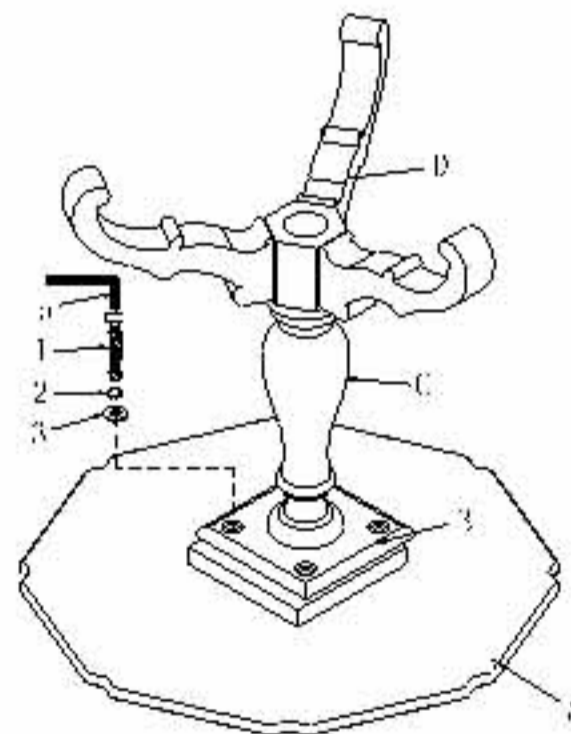
STEP1

Step(2). Connect the legs and the post as shown.



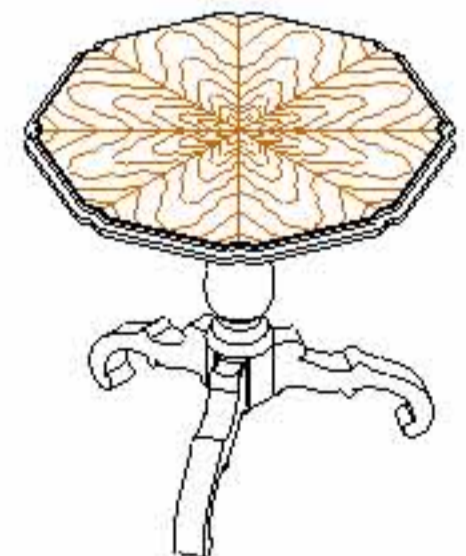
STEP2

Step(3). Connect the mounting board and the table top.



STEP3

Step(4). Turn the table upright.



STEP4

Assembly is complete now.
Thank you for your purchase.