



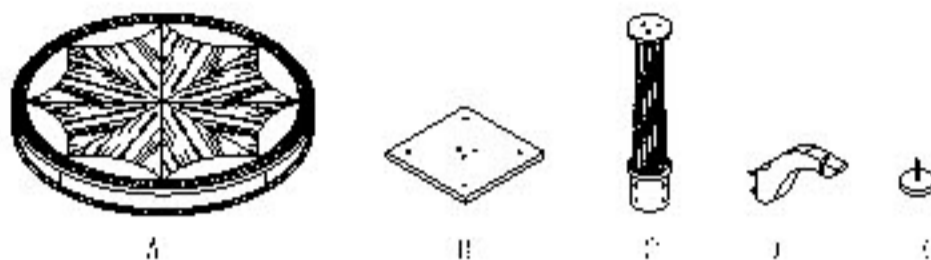
UTTERMOST

# Assembly Instruction

## ITEM#24149

**Component List:**

- A. Table Top.....1pc
- B. Mounting board.....1pc
- C. Post.....1pc
- D. Leg.....4pc
- E. Finial.....1pc

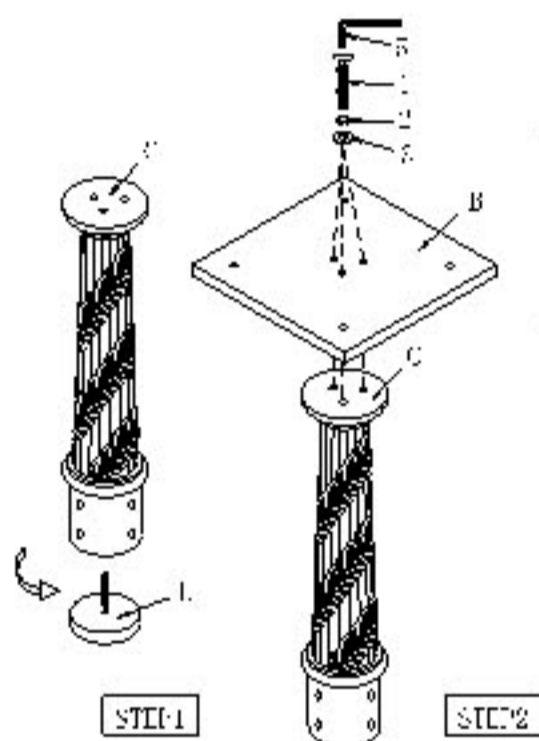


**Component List:**

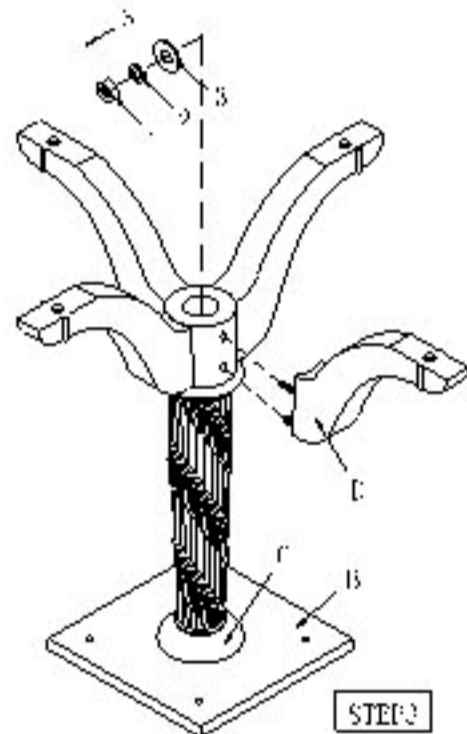
- 1. Bolt.....7pcs
- 2. Spring Washer.....11pcs
- 3. Flat Washer.....11pcs
- 4. Nut.....4pcs
- 5. Allen Wrench.....1pc
- 6. Wrench.....1pc



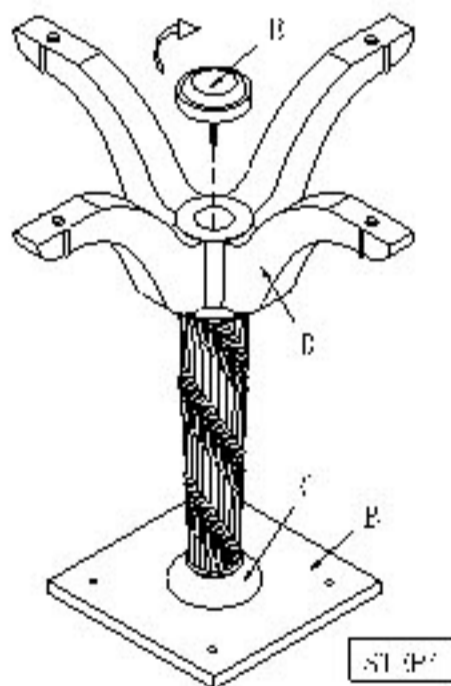
**Step(1).**Get the finial from the bottom of the post.



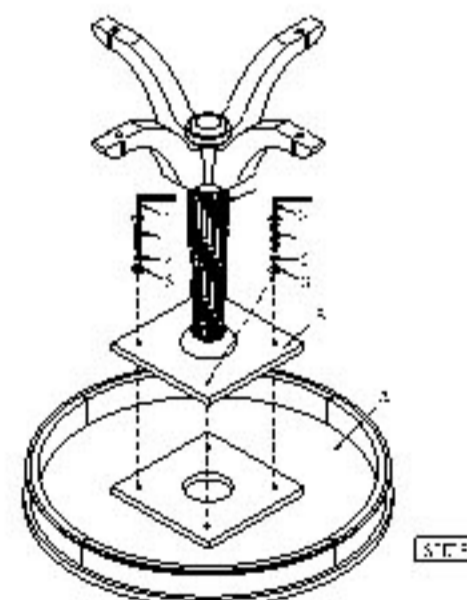
**Step(2).**Connect the Mounting board and Post .



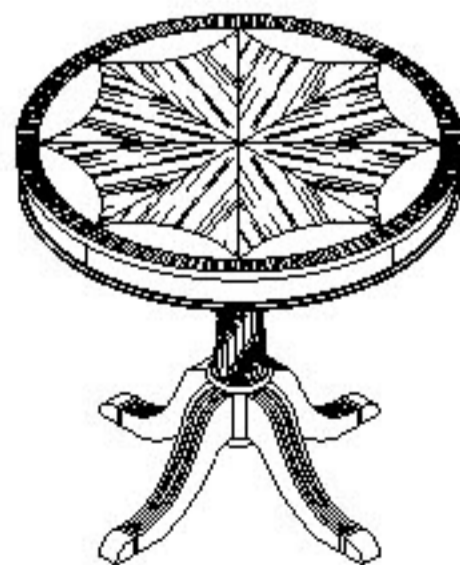
**Step(3).**Connect the legs and post as shown.



**Step(4).**Install the finial to the bottom of the post.



**Step(5).**Connect the mounting board and the table top.



**Step(6).**Turn the table upright.

Assembly is complete now.  
Thank you for your purchase.