

# UTTERMOST

## ASSEMBLY INSTRUCTIONS

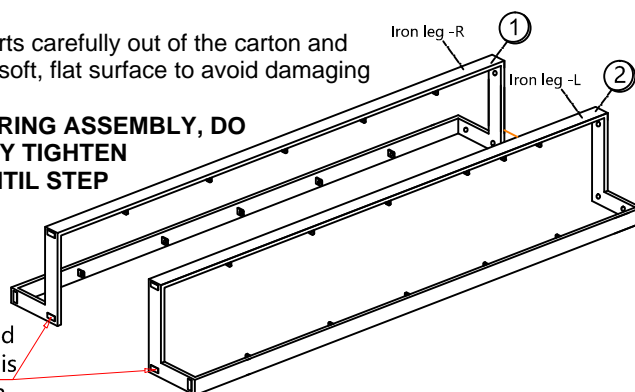
ITEM: 24047

### Step 1

Take all parts carefully out of the carton and place on a soft, flat surface to avoid damaging any parts.

**NOTE: DURING ASSEMBLY, DO NOT FULLY TIGHTEN BOLTS UNTIL STEP 3.**

Note: Pasted plastic pad is on the bottom.



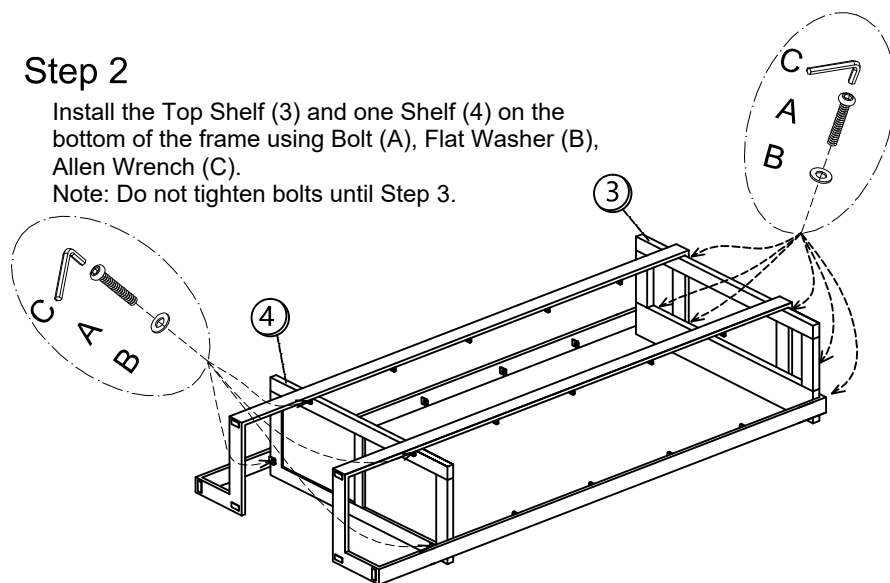
### PART LIST

NO.	DESCRIPTION	QTY
1	Iron leg - R	1 PC
2	Iron leg - L	1 PC
3	Shelf - top	1 PC
4	Shelf	5 PCS

### Step 2

Install the Top Shelf (3) and one Shelf (4) on the bottom of the frame using Bolt (A), Flat Washer (B), Allen Wrench (C).

Note: Do not tighten bolts until Step 3.



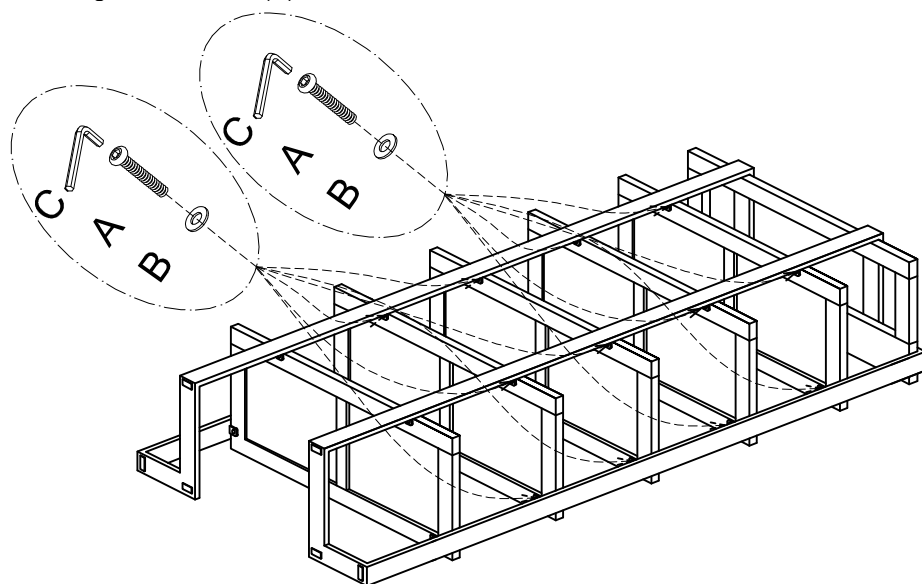
### HARDWARE

A	Bolt		26 pcs
B	Flat Washer		26 pcs
C	Allen Wrench		1 pc

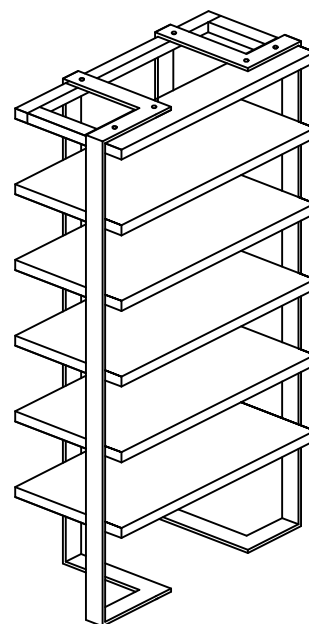
### Step 3

As in Step 2, install the remaining Shelves (4).

After all shelves are assembled, tighten ALL Bolts (A) using Allen Wrench (C).



### Step 4.



Complete