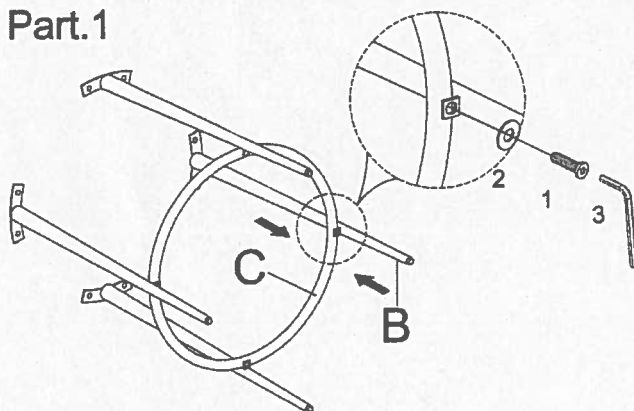


UTTERMOST

ASSEMBLY INSTRUCTIONS

STYLE:23897

Part.1



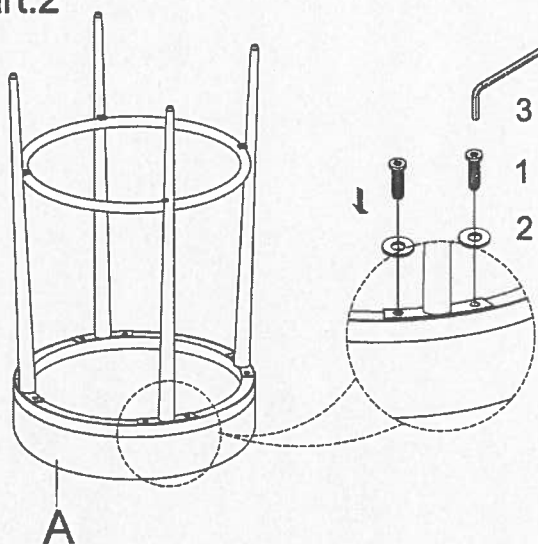
Parts list

A	Cushion	1 PC
B	Legs	4 PCS
C	Foot bar	1 PC

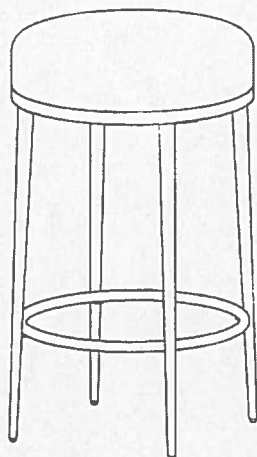
Hardware list

1	Bolt-1(Ø6x10mm)	12 PCS
2	Flat Washer	12 PCS
3	Allen Key	1 PC

Part.2



Part.3



1. Take the Parts carefully out of the carton, and then place them on a flat and soft surface, making sure that the parts will not be damaged/scratched.

2. First, Please assemble the 4x legs(B) and the circular Footrest bar(C) using screws and washers according to Diagram 1. please do not tighten too much .

3. Turn the stool cushion (A) upside down and place it on a flat surface. Then, attach the 4x legs (B) to the bottom of the cushion using screws and washers according to Diagram 2. Finally, tighten all the screws clockwise.

4. Turn the table over. Assembly is complete. place rotate the adjustable foot pad on bottom of leg to adjust the height.

To Clean, wipe with soft dry cloth.